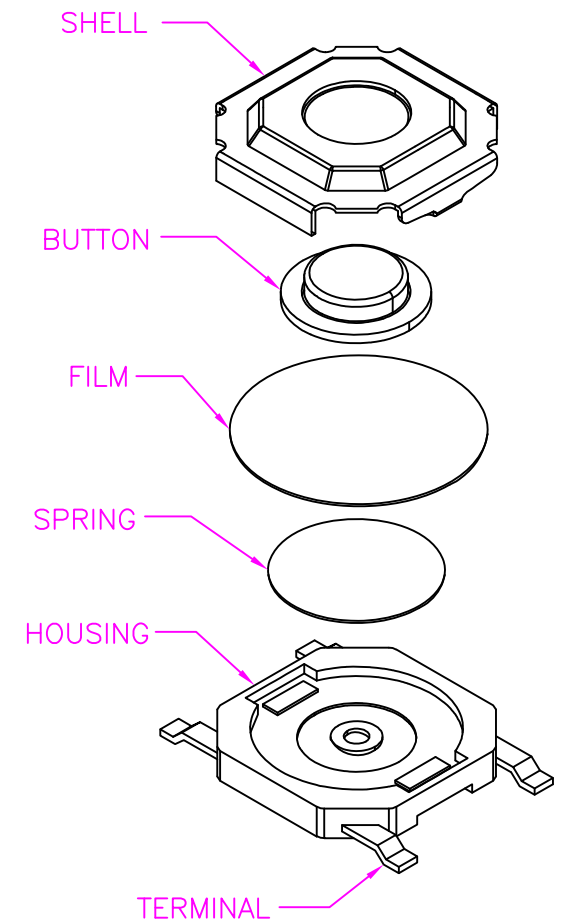
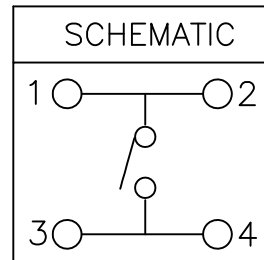


P.C.B. LAYOUT  
TOP VIEW  $\pm 0.05$



TABLE

FORCE:(gf)	
A	180gf $\pm$ 50gf
B	280gf $\pm$ 50gf



HOUSING: HI-TEMP. PLASTIC (UL 94V-0), NATURAL  
 BUTTON : HI-TEMP. PLASTIC (UL 94V-0) OR COPPER ALLOY  
 SHELL: STAINLESS STEEL  
 SPRING: STAINLESS STEEL, SILVER PLATING  
 FILM: POLYIMIDE  
 TERMINAL: COPPER ALLOY, SILVER PLATING

RoHS Compliant

TOLERANCES ARE

**MORETHANALL**  
 PCB CONNECTORS  
 Cable ASSEMBLIES

煜倫股份有限公司

www.morethanall.com

DRAWING BY CY

CHECKED BY GENIUS

UNIT / mm SCALE 1 : 1

DATE

SIZE A4

X,  $\pm$   
 X,  $\pm$   
 .XX  $\pm$   
 .XXX  $\pm$   
 ANG  $\pm$

PPOJECTION

照片框

ORDER INFORMATION

TSW55-V15X-xxx-LF

SERIES | LEADFREE  
 180:180g  
 280:280g  
 NON GROUND WIRE  
 HIGH 1.5mm  
 180°SMT

DESCRIPTION: TACT SWITCH, PCB MOUNT, METAL SHIELD, SMT, H=1.50mm