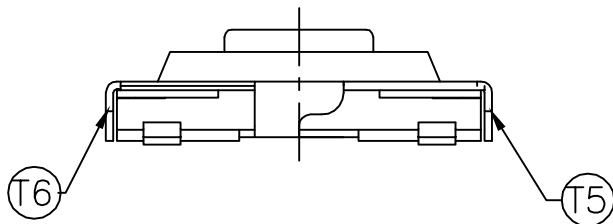


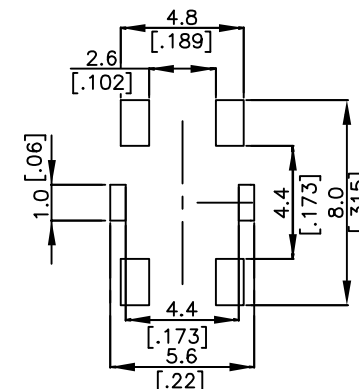
WITH GROUND
CIRCUIT DIAGRAM



NOTE:
1. ALL DIMENSIONS ARE IN MILLIMETERS.
BRACKETED DIMENSIONS ARE IN INCHES.
2. GENERAL TOLERANCES ±0.20mm.

See Table 1

PART NO	OF
TSW55-V15E-070	70gf
TSW55-V15E-100	100gf
TSW55-V15E-160	160gf
TSW55-V15E-260	260gf
TSW55-V15E-350	350gf



WITH GROUND
P.C.B LAYOUT

RoHS Compliant

TOLERANCES ARE

MORETHANALL
PCB CONNECTORS
Cable ASSEMBLIES

煜倫股份有限公司

www.morethanall.com

DRAWING BY CY

CHECKED BY GENIUS

UNIT / mm SCALE 1 : 1

DATE

SIZE A4

X, ±
.X ±
.XX ±
.XXX ±
ANG ±

P PROJECTION

照片框

ORDER INFORMATION

TSW55-V15E-xxx-LF

SERIES	LEADFREE
180°SMT	070:70g
HIGH 1.5mm	100:100g
	160:160g
	260:260g
	350:350g

GROUND WIRE

DESCRIPTION: TACT SWITCH H:1.5mm