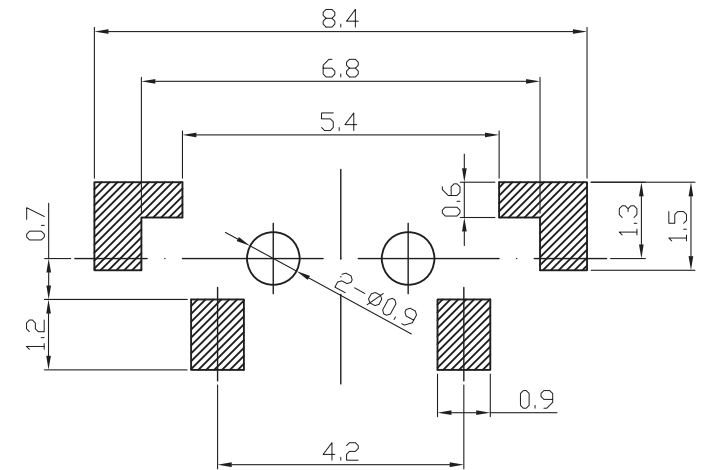
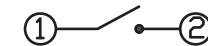


P.C.B. LAYOUT



SCHEMATIC



⑤	SPRING	1	SUS	
④	CONTACT FOOT	2	BRASS	Ag-Plating
③	CASE	1	LCP	
②	COVER	1	BRASS	Ag-Plating
①	KNOB	1	LCP	
NO.	DESCRIPTION	QTY	MATERIAL	PLATING

RoHS Compliant

TOLERANCES ARE

MORETHANALL
PCB CONNECTORS
Cable ASSEMBLIES

煜倫股份有限公司

www.morethanall.com

DRAWING BY CY

CHECKED BY GENIUS

UNIT / mm SCALE 1 : 1

DATE

SIZE A4

X. ±
.X ±
.XX ±
.XXX ±
ANG ±

PJECTION

照片框

ORDER INFORMATION

TSW37-WP-xxx-LF

SERIES | LEADFREE
160:160g
260:260g
POST
90°SMT

DESCRIPTION: TACT SWITCH