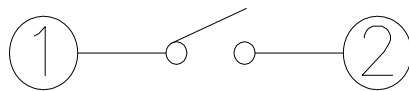
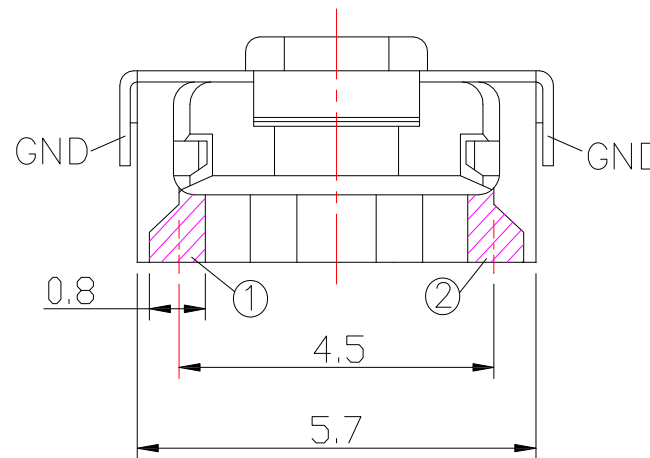


P.C.B LAYOUT



CIRCUIT DIAGRAM



SPECIFICATIONS

Rating	DC 12V 50mA
Contact Resistance	100mΩ Max.
Insulation Resistance	100MΩ Min
Travel	0.25±0.1mm
Operating Force	2 160 ± 50gf 3 250 ± 50gf
Operating Life (cycles)	100,000
Operating Temperature Range	-20° ~ +70° C
Storage Temperature Range	-40° ~ +85° C

RoHS Compliant

TOLERANCES ARE

MORETHANALL
PCB CONNECTORS
Cable ASSEMBLIES

煜倫股份有限公司

www.morethanall.com

DRAWING BY CY

CHECKED BY GENIUS

UNIT / mm

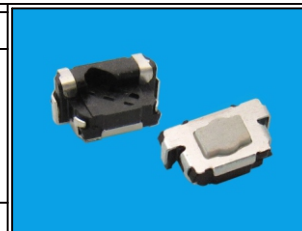
SCALE 1 : 1

DATE

SIZE A4

PJECTION

Up to 5 ±0.2
Above 5 ~ 15 ±0.3
Above 15 ~ 30 ±0.4
Above 30 ~ 50 ±0.5
Angle ±0.3°



ORDER INFORMATION

TSW36-WF-xxx-LF

SERIES | LEADFREE
160:160g
250:250g
OFF SET
90°SMT

DESCRIPTION: SWITCH