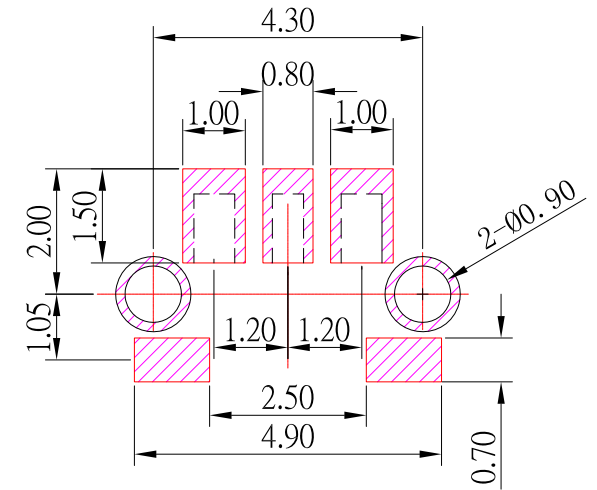
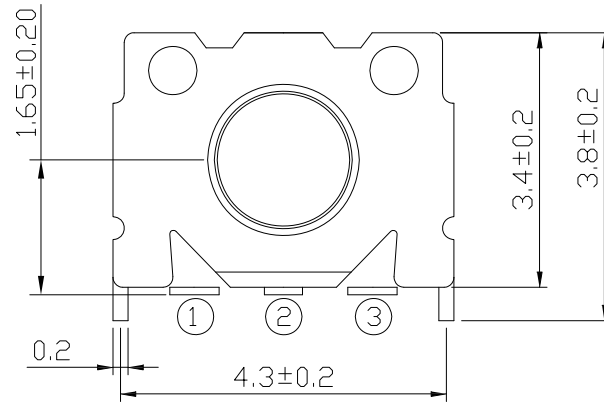
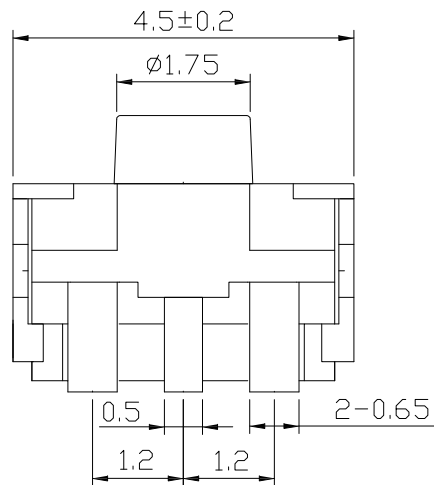
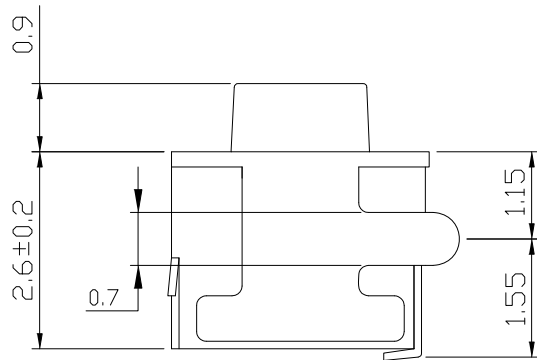


CIRCUIT DIAGRAM



PCB LAYOUT



SPECIFICATIONS

Rating	DC 12V 50mA.			
Insulation Resistance	50 MΩ Min.			
Contact Resistance	100 mΩ Max.			
Operating Force	2	160 ± 50gf	3	260 ± 50gf
Operating Life (cycles)	50,000			

E	TERMINAL	3	PHOSPHOR BRONZE	Ag plated
D	CONTACT	2	SUS	Ag plated
C	COVER	1	PHOSPHOR BRONZE	Ag plated
B	BASE	1	PA6T	Black
A	STEM	1	PPA	White
NO.	DESCRIPTION	QTY	MATERIAL	PLATING

RoHS Compliant

TOLERANCES ARE

**MORETHANALL**  
PCB CONNECTORS  
Cable ASSEMBLIES

DRAWING BY CY

CHECKED BY GENIUS

UNIT / mm

SCALE 1 : 1

DATE

SIZE A4

PJECTION

Up to 5 ±0.2  
Above 5 ~ 15 ±0.3  
Above 15 ~ 30 ±0.4  
Above 30 ~ 50 ±0.5  
Angle ±0.3°

照片框

ORDER INFORMATION

TSW34-W34M-xxx-LF

SERIES | | LEADFREE

160:160g  
260:260g

90°SMT METAL FOOT  
HIGH 3.4mm

煜倫股份有限公司

www.morethanall.com

DESCRIPTION: TACT SWITCH