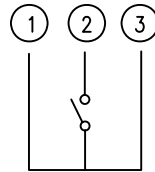


CIRCUIT DIAGRAM

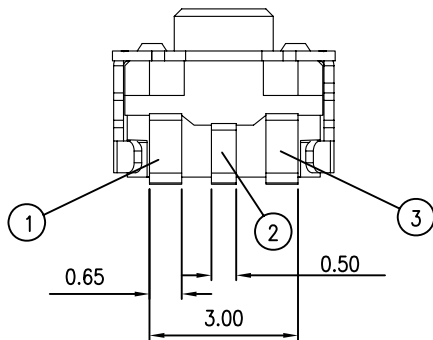
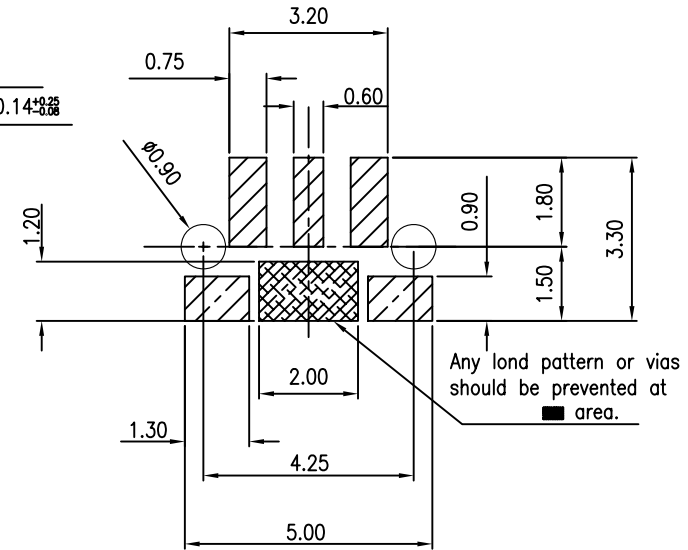
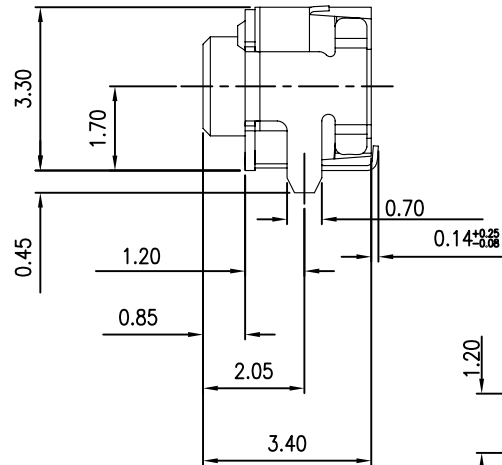
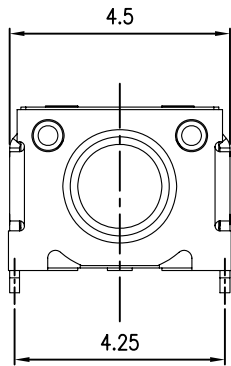


NOTE:

1.GENERAL TOLERANCES MAX. $\pm 0.20\text{mm}$.

SPECIFICATIONS:

- 1.RATING: DC 12V 50mA Max.
- 2.LIFE: 100,000 cycles
- 3.OPERATION FORCE: 2=160gf $\pm 50\text{gf}$ 3=250 $\pm 50\text{gf}$
- 4.STROKE: 0.2+0.2/-0.1mm
- 5.CONTACT RESISTANCE: 500m Ω MAX.
- 6.OPERATION TEMPERATURE RANGE: -40°C~+85°C



RoHS Compliant

TOLERANCES ARE

MORETHANALL
PCB CONNECTORS
Cable ASSEMBLIES

DRAWING BY CY

X. \pm

CHECKED BY GENIUS

.X \pm

UNIT / mm

SCALE 1 : 1

.XX \pm

DATE

.XXX \pm

ANG \pm

照片框

ORDER INFORMATION

TSW34-W33M-xxx-LF

SERIES

LEADFREE

160:160g

250:250g

METAL FOOT

HIGH 3.3mm

90°SMT

煜倫股份有限公司

www.morethanall.com

SIZE A4

PJECTION

DESCRIPTION: 3.3X4.5 Side Push Type