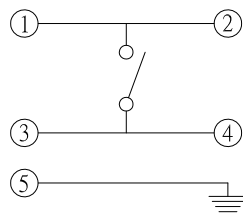
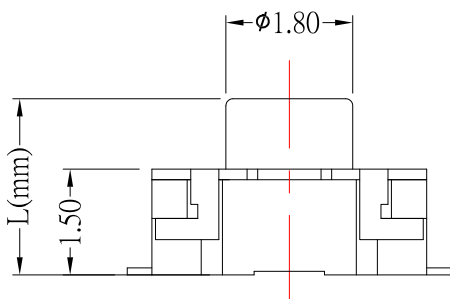


SMD REFLOW PATTERN



CIRCUIT DIAGRAM

SPECIFICATIONS

Rating	DC 12V 50mA Max.
Circuit	1C - 1P
Contact Resistance	100mΩ Max.
Travel	0.15 ± 0.1mm
Operating Force	0 100 ± 30gf 1 130 ± 30gf 2 160 ± 50gf 3 250 ± 50gf
Operating Life (cycles)	100,000

MODEL NO.	L (mm)
TSW24-V18ER-xxx	1.8
TSW24-V20ER-xxx	2.0
TSW24-V25ER-xxx	2.5

NO.	DESCRIPTION	QTY	MATERIAL	PLATING
F	DUST COVER	1	PI FILM	
E	TERMINAL	4	PHOSPHOR BRONZE	Ag plated
D	CONTACT	1	SUS	Ag plated
C	COVER	1	SUS	
B	CASE	1	LCP	
A	STEM	1	LCP	

RoHS Compliant

TOLERANCES ARE



煜倫股份有限公司

www.morethanall.com

DRAWING BY CY

CHECKED BY GENIUS

UNIT / mm SCALE 1 : 1

DATE

SIZE A4

PJECTION

Up to 5 ±0.2
Above 5 ~ 15 ±0.3
Above 15 ~ 30 ±0.4
Above 30 ~ 50 ±0.5
Angle ±0.3°

照片框

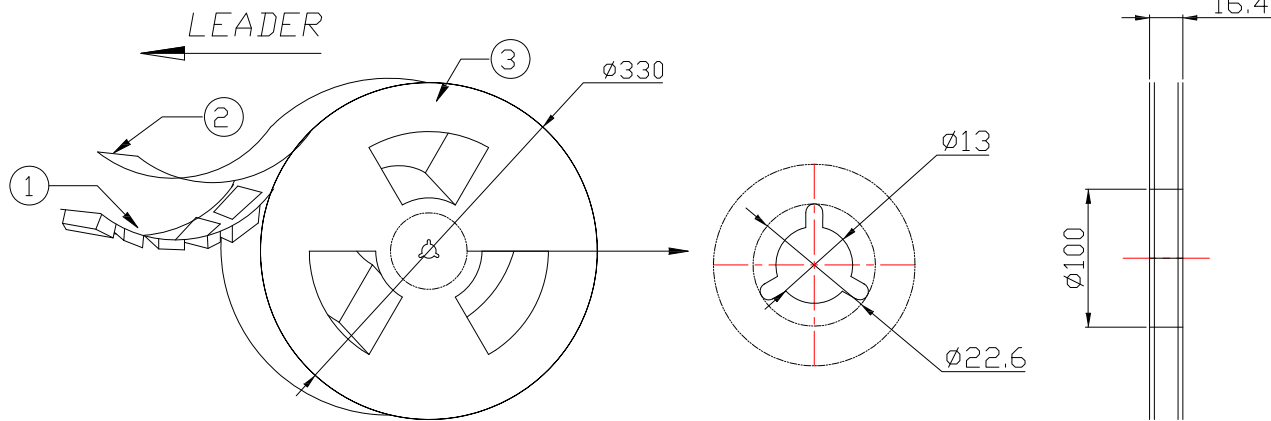
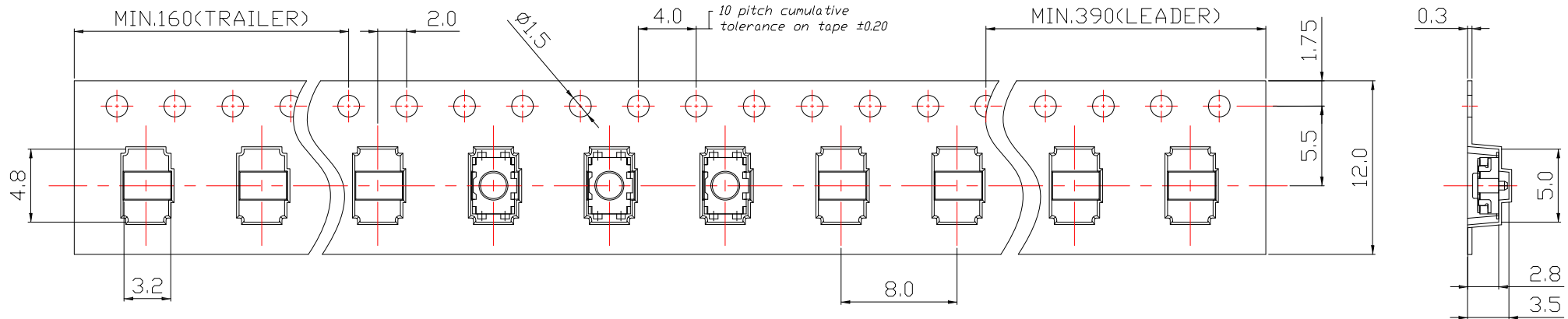
ORDER INFORMATION

TSW24-VxxER-xxx-LF

SERIES 180°SMT LEADFREE
100:100g
130:130g
160:160g
250:250g
18:HIGH 1.8mm
20:HIGH 2.0mm
25:HIGH 2.5mm
REEL EAR

DESCRIPTION: TACT SWITCH

PULL DIRECTION →



SPECIFICATIONS

Minimum Packing Qty	3,000 pcs / reel		
Reel Size	φ330		
Reel Width (mm)	16.4		
Reel Material	①	Carrier	Polystyrene
	②	Cover Tape	PET
	③	Reel	Polystyrene

RoHS Compliant

TOLERANCES ARE



煜倫股份有限公司

www.morethanall.com

DRAWING BY CY

CHECKED BY GENIUS

UNIT / mm

SCALE 1 : 1

DATE

SIZE A4

P PROJECTION

Up to 5 ±0.2
Above 5 ~ 15 ±0.3
Above 15 ~ 30 ±0.4
Above 30 ~ 50 ±0.5
Angle ±0.3°

照片框

ORDER INFORMATION

TSW24-VxxER-xxx-LF

SERIES

180°SMT

18:HIGH 1.8mm

20:HIGH 2.0mm

25:HIGH 2.5mm

LEADFREE

100:100g

130:130g

160:160g

250:250g

REEL

EAR

DESCRIPTION: TACT SWITCH