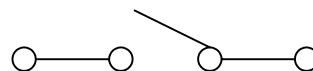
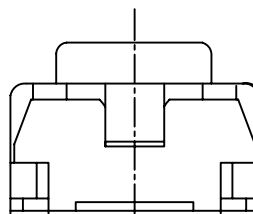
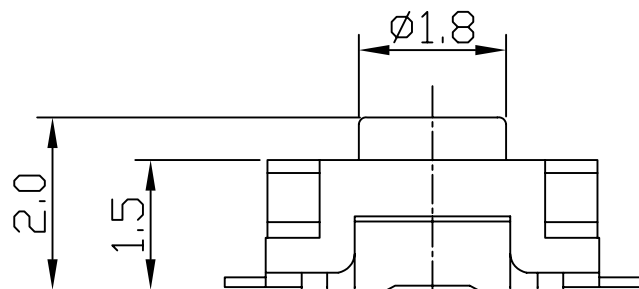
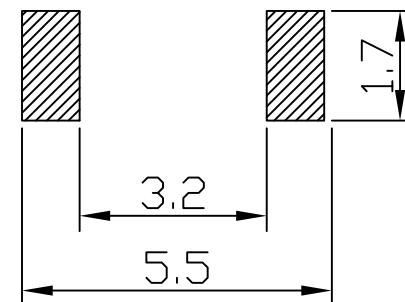


CIRCUIT DIAGRAM



P.C.Board mounting hole and land dimensions



SPECIFICATION

1. RATING: 50mA, DC12V Max.
2. CIRCUIT: 1C-1P.
3. OPERATING FORCE: 250 ±30gf.
4. CONTACT RESISTANCE: 100mΩ Max.
5. TRAVEL: 0.2±0.1mm
6. LIFE: 100,000 cycles Min

RoHS Compliant

TOLERANCES ARE

MORETHANALL
PCB CONNECTORS
Cable ASSEMBLIES

煜倫股份有限公司

www.morethanall.com

DRAWING BY CY

CHECKED BY GENIUS

UNIT / mm

SCALE 1 : 1

DATE

SIZE A4

X. ±

.X ±

.XX ±

.XXX ±

ANG ±

PROJECTION

照片框

ORDER INFORMATION

TSW23-V20-250-LF

SERIES

250g

HIGH 2.0mm

180°SMT

LEADFREE

DESCRIPTION: