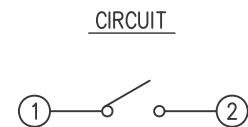
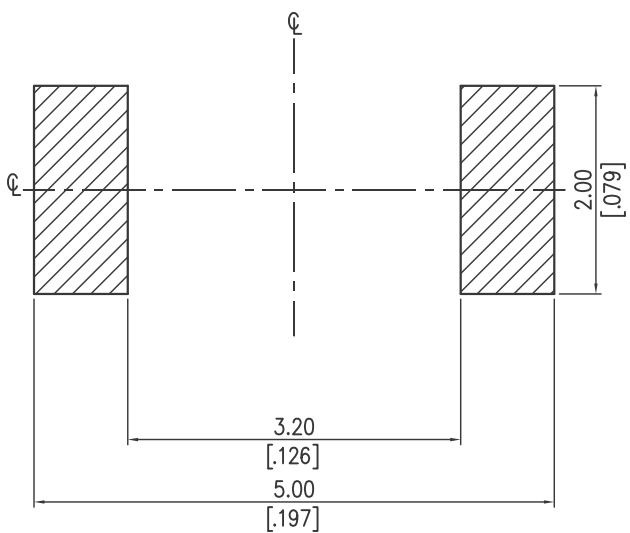


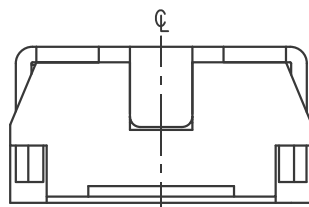
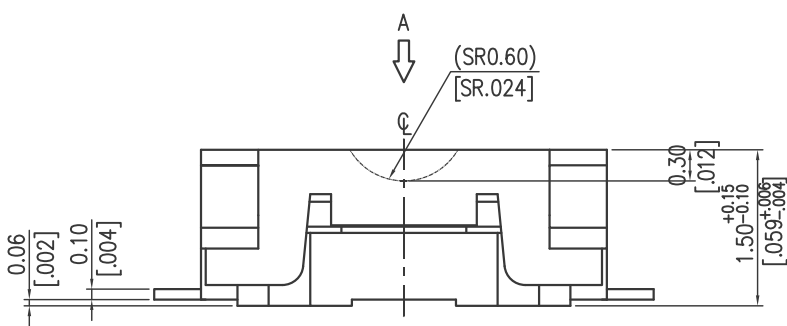
NOTE:
 1. ALL DIMENSIONS ARE IN MILLIMETERS.
 BRACKETED DIMENSIONS ARE IN INCHES.
 2. GENERAL TOLERANCES ±0.2mm



P.C.B. LAYOUT
 (VIEW FROM THE DIRECTION A)



HATCHED AREA SHOWS SOLDERING LAND



作動力 (OF)	測定推鈕操作方向之力量	側向	正向
		220±65gf (2.156N± 637N)	160±50gf (1.568N± 49N)

RoHS Compliant

TOLERANCES ARE



DRAWING BY CY

X ±

CHECKED BY GENIUS

.X ±

UNIT / mm

SCALE 1 : 1

.XX ±

DATE

.XXX ±

ANG ±

SIZE A4

P PROJECTION

照片框

ORDER INFORMATION

TSW23-V15-160-LF

SERIES

LEADFREE

160g

HIGH 1.5mm

180°SMT

煜倫股份有限公司

www.morethanall.com

DESCRIPTION: