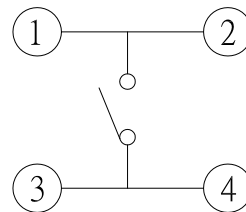
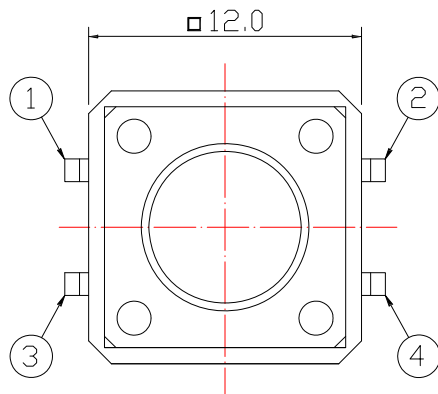


PCB LAYOUT MOUNTING PATTERN



CIRCUIT DIAGRAM

SPECIFICATIONS

Rating	DC 24V , 50mA
Contact Resistance	100mΩ Max.
Travel	0.30 ± 0.1mm
Operating Force	250±50gf
Operating Life(cycles)	100,000

E	TERMINAL	4	BRASS	Ag plated
D	CONTACT	1	PHOSPHOR BRONZE	Ag plated
C	COVER	1	BRASS	Ni plated
B	CASE	1	PA6T	
A	STEM	1	PA6T	
NO.	DESCRIPTION	QTY	MATERIAL	PLATING

RoHS Compliant

TOLERANCES ARE

**MORETHANALL**  
PCB CONNECTORS  
Cable ASSEMBLIES

DRAWING BY CY

CHECKED BY GENIUS

UNIT / mm

SCALE 1 : 1

DATE

SIZE A4

P PROJECTION

Up to 5 ±0.2  
Above 5 ~ 15 ±0.3  
Above 15 ~ 30 ±0.4  
Above 30 ~ 50 ±0.5  
Angle ±0.3°

照片框

ORDER INFORMATION

TSW1212-DQ043-250-LF

SERIES

LEADFREE

250g  
HIGH 4.3mm  
4 PIN  
DIP 180°

煜倫股份有限公司

www.morethanall.com

DESCRIPTION: TACT SWITCH