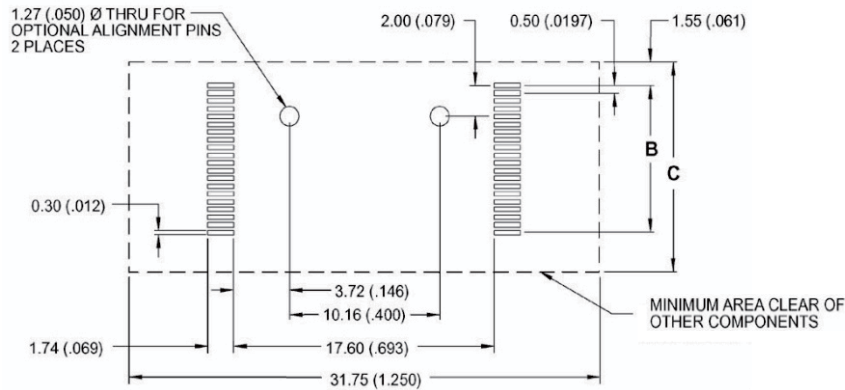


### SURFACE MOUNT 0.50mm TSOP SOCKET

#### SOCKET LAND-PAD FOOTPRINT



#### DIMENSION CHART

| PACKAGE     | #LEADS | DIMENSIONS (millimeters/inches) |        |       |        |       |        |                        |                     |          |              |
|-------------|--------|---------------------------------|--------|-------|--------|-------|--------|------------------------|---------------------|----------|--------------|
|             |        | DIM A                           |        | DIM B |        | DIM C |        | * MERITEC PART NUMBER  |                     |          |              |
|             |        | mm                              | inches | mm    | inches | mm    | inches | WITHOUT ALIGNMENT PINS | WITH ALIGNMENT PINS |          |              |
| 0.50mm TSOP | 48     | 13.85                           | .545   | 11.50 | .453   | 15.62 | .615   |                        | TSOP-V48            | 70       | 250          |
|             |        |                                 |        |       |        |       |        |                        |                     | PER TRAY | *TAPE & REEL |
|             |        |                                 |        |       |        |       |        |                        |                     | 56       | 250          |

適合溫度：攝氏 -55~+105

RoHS Compliant

TOLERANCES ARE

**MORETHANALL**  
PCB CONNECTORS  
Cable ASSEMBLIES

煜倫股份有限公司

www.morethanall.com

DRAWING BY CY

CHECKED BY GENIUS

UNIT / mm SCALE 1 : 1

DATE

SIZE A4

X, ±

.X ±

.XX ±

.XXX ±

ANG ±

PPOJECTION

照片框

#### ORDER INFORMATION

TSOP-V-48-LF  
SERIES | LEADFREE  
48 WAY  
180°SMT

DESCRIPTION: