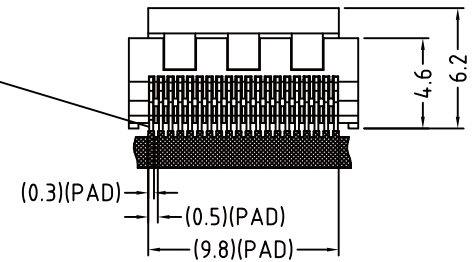
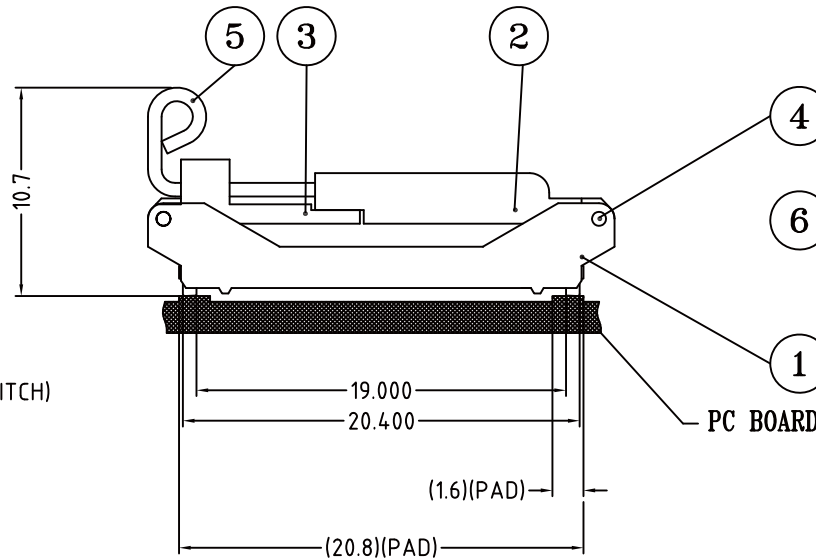
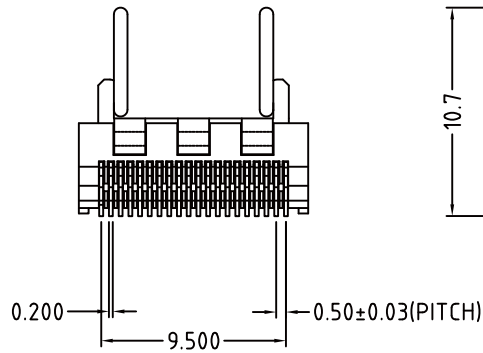


SPECIFICATIONS

- ELECTRICAL:**
 1. CONTACT RESISTANCE: 30 milliohms max.
 2. CURRENT RATING: 0.5 AMP
 3. DIELECTRIC WITHSTANDING VOLTAGE: 250V AC
 4. INSULATION RESISTANCE: 500 MEGA Ohms
- MECHANICAL:**
 1. CONTACT MATERIAL: Copper alloy with SnPb plating
 2. MINIMUM INSERTION/WITHDRAWAL CYCLES: 50
- ENVIRONMENTAL:**
 1. BODY AND LID MATERIAL: LCP
 2. FLAMMABILITY: 94V-0
 3. TEMPERATURE RANGE: -55°C to +105°C



RoHS Compliant

TOLERANCES ARE

MORETHANALL
 PCB CONNECTORS
 Cable ASSEMBLIES

DRAWING BY CY

CHECKED BY GENIUS

UNIT / mm

SCALE 1 : 1

DATE

SIZE A4

X, ±
 .X ± 0.50
 .XX ± 0.30
 .XXX ± 0.15
 ANG ±

P PROJECTION

照片框

ORDER INFORMATION

TSOP-V-40-LF
 SERIES | LEADFREE
 40 WAY
 180°SMT

煜倫股份有限公司

www.morethanall.com

DESCRIPTION: PITCH=0.5mm 0-LEAD TSOP SOCKET