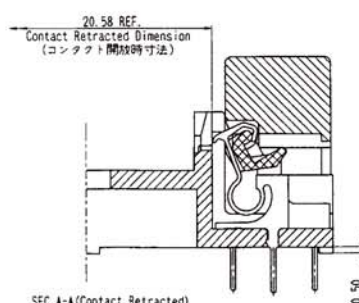
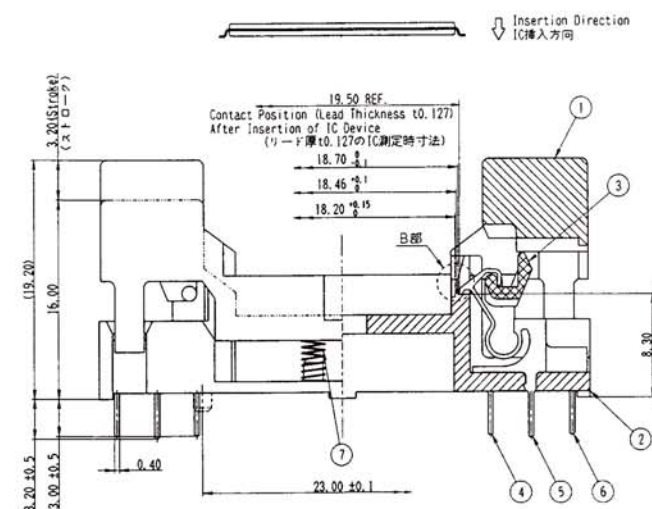


P.C. BOARD HOLE PATTERN
 Pattern Shown Looking Down Through Top of Socket
 プリント板穴あけ寸法図(表面より透視)



- 性能: Performance
- 絶縁抵抗: Insulation Resistance
1.000MΩ min. at DC100V.
 - 耐電圧: Dielectric Withstanding Voltage
For 1minute at AC100V.
 - 接触抵抗: Contact Resistance
30mΩ max. at 10mA and 20mV max. (initial 初期値)
 - 使用温度: Operating Temperature
-40°C→+150°C.
 - 接触力: Contact Force
30g min. Travel Distance of 0.3mm Per Pin.
80g max. Travel Distance of 0.7mm Per Pin.
 - プリロード: Deflection by pre-load
0.2min.
 - 電流容量: Rated Current
1A MAX.
 - 耐久性: Lifetime
10,000 Devices (mechanical)
 - 操作力: Maximum operation force
1.1kg±0.5kg

8	オプティカル・アライメントピン-1	Optical Alignment Pin	2	PES (GF)	Yellow	SM-13507
7	コイルばね-133	Coil spring	4	SUS φ0.11		SM-1342L
6		C	19	BeCu ±0.25	Ni-Au PL (Class BF)	SL-13987
5		B	18	BeCu ±0.25	Ni-Au PL (Class BF)	SL-13987
4		A	19	BeCu ±0.25	Ni-Au PL (Class BF)	SL-13987
3	IC189-506 レバー	Lever	2	PEI (GF)	Black	SL-16672
2	IC191-0562-003 基板B	Insulator B	1	PEI (GF)	Black	SL-16692
1	IC191-0562-003 基板A	Insulator A	1	PEI (GF)	Black	SL-16691

RoHS Compliant

TOLERANCES ARE

- X, ±
- .X ±
- .XX ±
- .XXX ±
- ANG ±

DRAWING BY CY
 CHECKED BY GENIUS
 UNIT/mm SCALE 1:1
 DATE
 SIZE A4 PROJECTION

照片框

ORDER INFORMATION

TSOP-D-56-LF
 SERIES | LEADFREE
 56 WAY
 DIP 180°

DESCRIPTION:

MORETHANALL
 PCB CONNECTORS
 Cable ASSEMBLIES
 煜倫股份有限公司
 www.morethanall.com