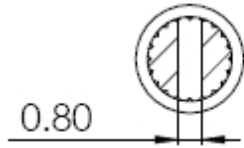
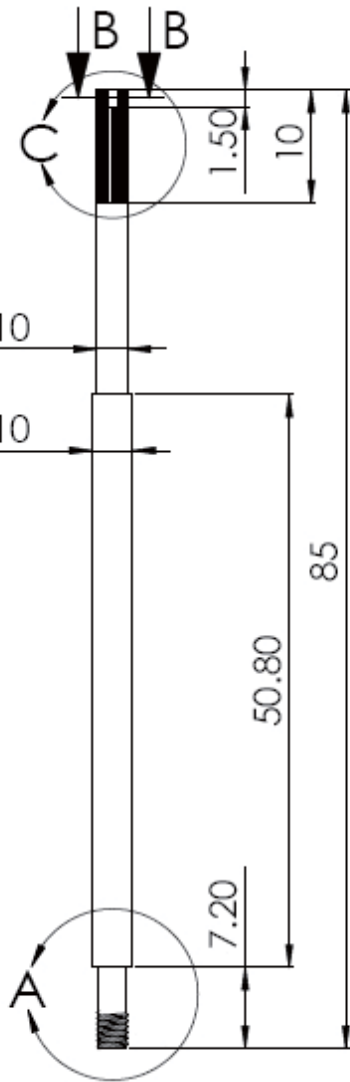
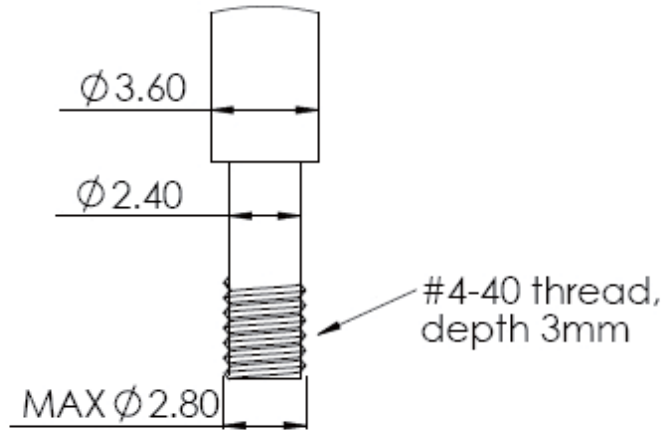


B-B (4 : 1)



A (4 : 1)



C (6 : 1)



Thumb grip section,  
Max dia. 2.9mm

Dimensions: mm  
Material: Stainless Steel

RoHS Compliant

TOLERANCES ARE

**MORETHANALL**  
PCB CONNECTORS  
Cable ASSEMBLIES

煜倫股份有限公司

www.morethanall.com

DRAWING BY CY

CHECKED BY GENIUS

UNIT / mm

SCALE 1 : 1

DATE

SIZE A4

PPOJECTION

X. ±  
.X ±  
.XX ±  
.XXX ±  
ANG ±

照片框

ORDER INFORMATION

TS-85-LF  
SERIES | LEADFREE  
LONG 85.0mm

DESCRIPTION: