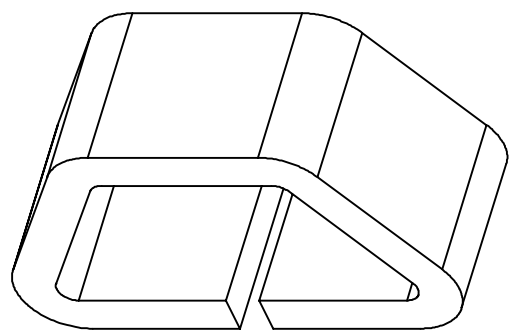


PCB Recommend Layout Pattern



Note:

- 1. Material: Phosphor bronze
- 2. Thickness: 0.25mm
- 3. Electroplate: Matte Sn

RoHS Compliant

TOLERANCES ARE

照片框

ORDER INFORMATION

MORETHANALL
PCB CONNECTORS
Cable ASSEMBLIES

煜倫股份有限公司

www.morethanall.com

DRAWING BY CY

CHECKED BY GENIUS

UNIT / mm

SCALE 1 : 1

DATE

SIZE A4

RANGE(mm)	3
<30	± 0.2
30< - <120	± 0.3
120< - <300	± 0.5
300<	± 0.8
ANGLES	± 2.5°

PPOJECTION

TP-VX-261015-LF
SERIES | LEADFREE
HIGH 1.52mm
WIDTH 1.02mm
LONG 2.67mm
NON POST
180°SMT

DESCRIPTION: