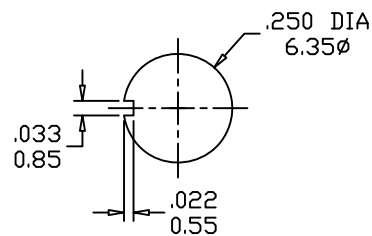


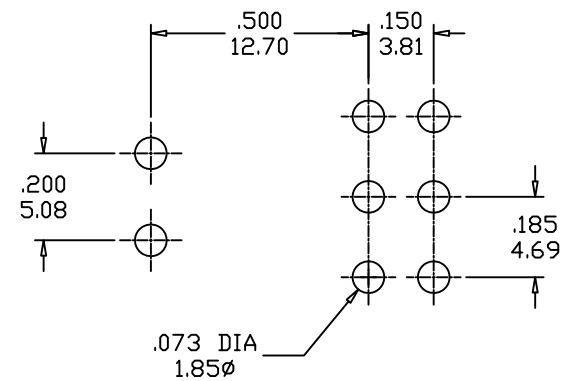
Model No.	Switching Position		
	ON	NONE	ON

PANEL MOUNTING

1/4 IN. BUSHING



P.C.B Mounting Dimension



RoHS Compliant

TOLERANCES ARE

MORETHANALL
PCB CONNECTORS
Cable ASSEMBLIES

DRAWING BY CY

CHECKED BY GENIUS

UNIT / mm SCALE 1 : 1

DATE

SIZE A4

X. ±
.X ± 0.30
.XX ± 0.20
.XXX ± 0.10
ANG ±

P PROJECTION

照片框

ORDER INFORMATION

TGSW47-RM065-2X03-LF

SERIES | LEADFREE
06 WAY
6.56mm
METAL
DIP 90°

DESCRIPTION: DPDT P.C. MOUNTED TOGGLE SWITCHES

煜倫股份有限公司

www.morethanall.com