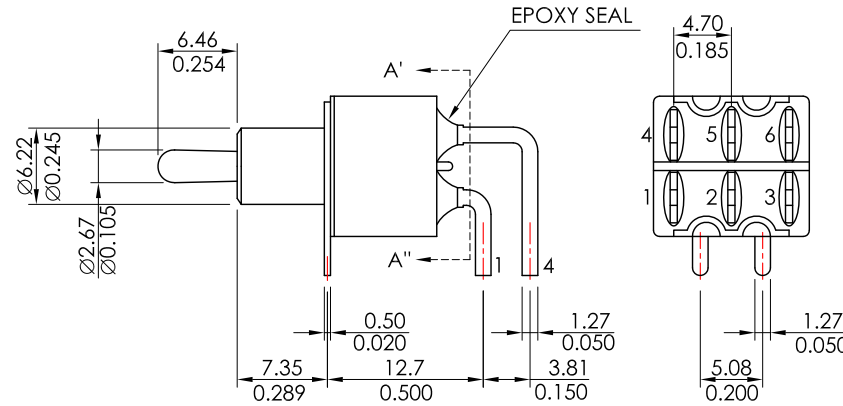
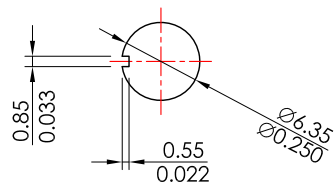
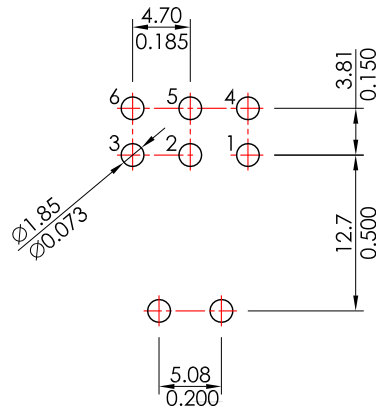


MOUNTING HOLE



P.C.B. LAYOUT



SPECIFICATION

Rating: 0.4VA Max. @20V Max.
Contact resistance: 10mΩ Max. initial @2-4V DC.
 100mA for both Silver and Gold plated contacts.
Insulation resistance: 1,000MΩ Min.
Withstand voltage: 1,000V RMS @sea level.
Operating temperature: -30°C ~ +85°C.
Mechanical life: 40,000 Cycles.
Soldering temperature: 250°C Max. for 3 seconds.
Soldering time: 1 time only.
Note1: Unwashable, don't be immersed by epoxy and organic solvent.
Note2: Please do not scale the drawing comparing to real product and kindly measure the size of real product.

MATERIAL

Case: Diallyl phthalate.(DAP)(UL-94V-0)
Actuator: Brass, Chrome plated.
Bushing: Brass, Nickel plated.
Housing: Stainless steel.
Terminal / Contact: Gold plated.
Switch support: Brass, Tin plated.

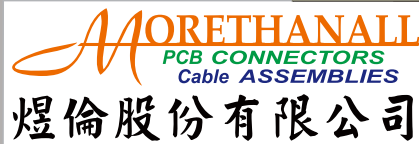
保存注意事項：

Precautions for preservation:

- 此產品為鍍銀或鍍金產品，裸露在空氣中極易氧化，會造成冷焊或焊接不良。建議拆封後，未使用完的開關務必放入袋內，並置入乾燥劑後密封袋口，以防氧化。
This is a silver-plated or gold-plated product, which can be easily oxidized when exposed to air that may cause cold welding or poor welding. We recommend that after unpacking, the unused switch must be preserved into a sealed bag with desiccant to prevent oxidation.
- 若產品拆封後，客戶未盡妥善保存之責，造成產品氧化，我司無法負保固責任。
After the product is unpacked, if the customer fails to properly preserve the product, causing the product to oxidize, our company cannot be held responsible for the warranty.

Model No.	POS.1
1	ON
2	ON
3	ON
4	(ON)
5	ON
Term. Com.	2-3 5-6
Schematic	

RoHS Compliant



www.morethanall.com

DRAWING BY CY
 CHECKED BY GENIUS
 UNIT / mm SCALE 1 : 1
 DATE
 SIZE A4 PPROJECTION

TOLERANCES ARE
 X. ±
 .X ± 0.40
 .XX ± 0.25
 .XXX ±
 ANG ±

照片框

ORDER INFORMATION

TGSW47-RM064-2X03-LF
 SERIES | LEADFREE
 06 WAY
 6.46mm
 METAL
 DIP 90°

DESCRIPTION: