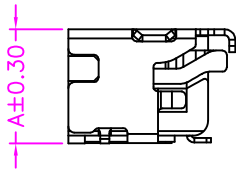
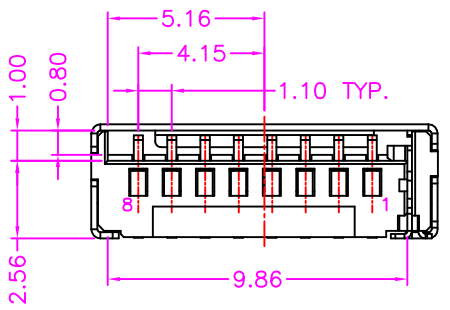
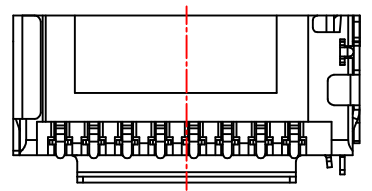


Pin	NAME
1	DAT 2
2	CD/DAT 3
3	CMD
4	VDD
5	CLK
6	VSS
7	DAT0
8	DAT1



HEIGHT "A" OPTION
 A: A=3.00
 B: A=3.35
 C: A=3.75

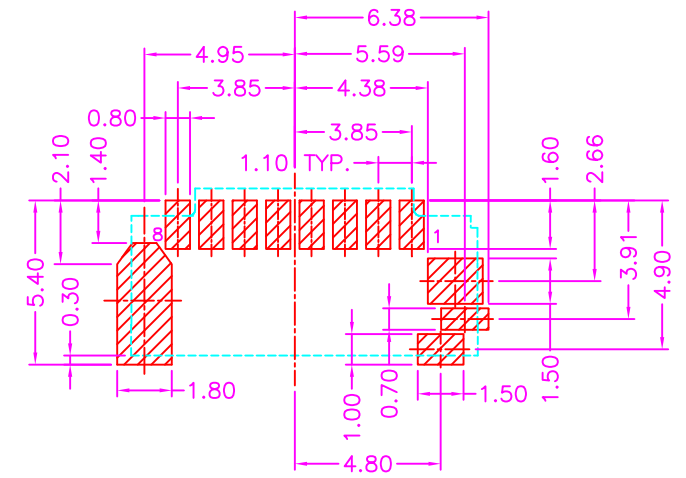


MATERIALS

HOUSING: HI-TEMP. PLASTIC (UL 94V-0), BLACK
 SHELL: SPCC, NICKEL PLATING
 TERMINAL: COPPER ALLOY, GOLD PLATED ON CONTACT AREA
 TIN PLATING ON SOLDER TAIL

SPECIFICATION

CURRENT RATING: 0.5 AMP MAX
 DIELECTRIC WITHSTANDING: 500V AC FOR ONE MINUTE
 CONTACT RESISTANCE: 80m OHMS MAX
 INSULATION RESISTANCE: 1000M OHMS MIN AT DC 500V
 OPERATION TEMPERATURE: -40°C~+85°C



P.C.B. LAYOUT
 TOP VIEW ±0.05

RoHS Compliant

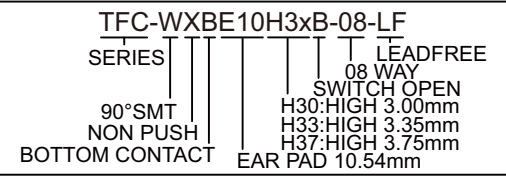
TOLERANCES ARE

MORETHANALL
 PCB CONNECTORS
 Cable ASSEMBLIES
 焯倫股份有限公司
 www.morethanall.com

DRAWING BY CY	X. ± 0.40
CHECKED BY GENIUS	.X ± 0.30
UNIT / mm	.XX ± 0.20
SCALE 1 : 1	.XXX ± 0.10
DATE	ANG ±
SIZE A4	PJECTION



ORDER INFORMATION



DESCRIPTION: MICRO SD (T-FLASH), PCB MOUNT, SMT, METAL SHIELD, FEMALE