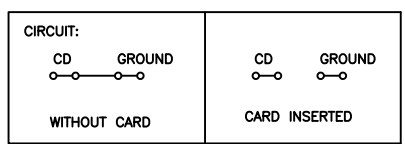
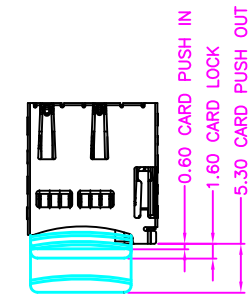
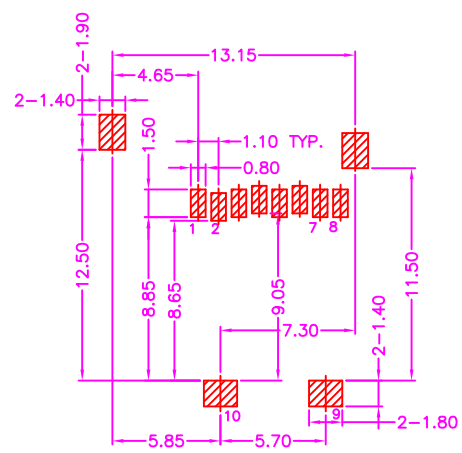
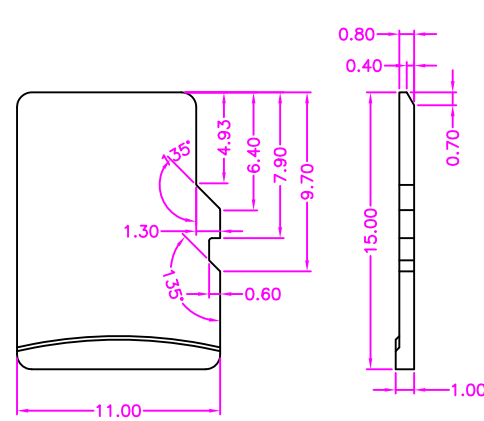
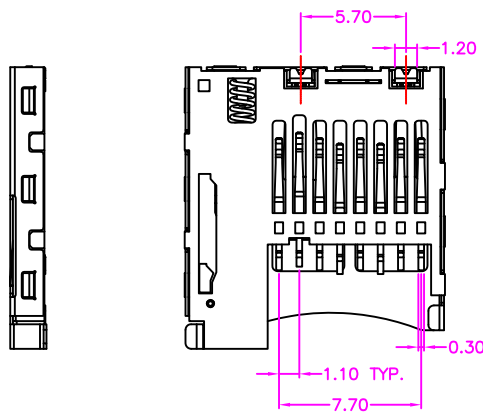
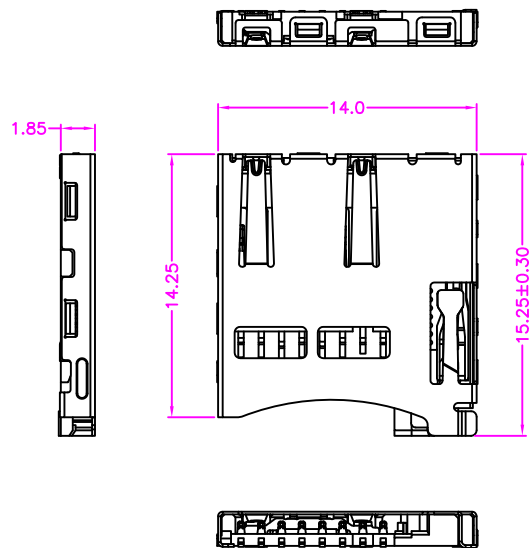


MATERIALS

HOUSING: HI-TEMP. PLASTIC (UL 94V-0), BLACK
 SHELL: STAINLESS STEEL
 PAD: STAINLESS STEEL, GOLD PLATING
 TERMINAL: COPPER ALLOY, GOLD PLATED ON CONTACT AREA
 TIN PLATING ON SOLDER TAIL

SPECIFICATION

CURRENT RATING: 0.5 AMP MAX
 DIELECTRIC WITHSTANDING: 500V AC FOR ONE MINUTE
 CONTACT RESISTANCE: 60m OHMS MAX
 INSULATION RESISTANCE: 1000M OHMS MIN AT DC 500V
 OPERATION TEMPERATURE: -40°C~+85°C



Pin No.	MICRO SD
PIN1	DAT2 1P
PIN2	CD/DAT3 2P
PIN3	CMD 3P
PIN4	VDD 4P
PIN5	CLK 5P
PIN6	VSS 6P
PIN7	DAT0 7P
PIN8	DAT1 8P
PIN9	CARD DETECT
PIN10	

RoHS Compliant

TOLERANCES ARE

MORETHANALL
 PCB CONNECTORS
 Cable ASSEMBLIES
 焯倫股份有限公司
 www.morethanall.com

DRAWING BY CY	X. ± 0.40
CHECKED BY GENIUS	.X ± 0.30
UNIT / mm	.XX ± 0.20
SCALE 1 : 1	.XXX ± 0.10
DATE	ANG ±
SIZE A4	PJECTION



ORDER INFORMATION

TFC-WPCE13A-08-LF
 SERIES | LEADFREE
 90°SMT | 08WAY
 SWITCH CLOSE
 EAR 13.15mm
 C/LAYOHT
 PUSH PUSH

DESCRIPTION: MICRO SD CARD, 8PIN, PCB MOUNT, SMT, METAL SHIELD, PUSH PUSH TYPE FEMALE, H=1.85mm