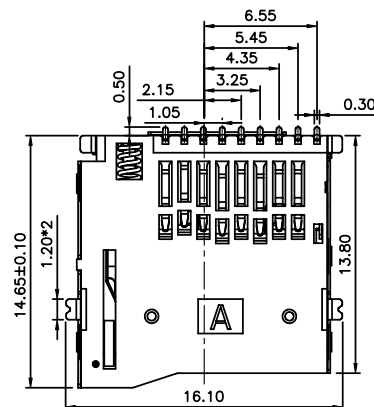
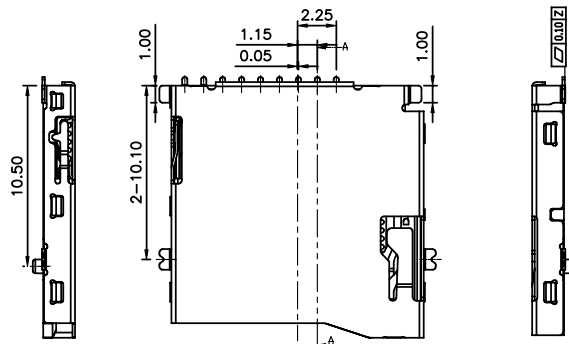
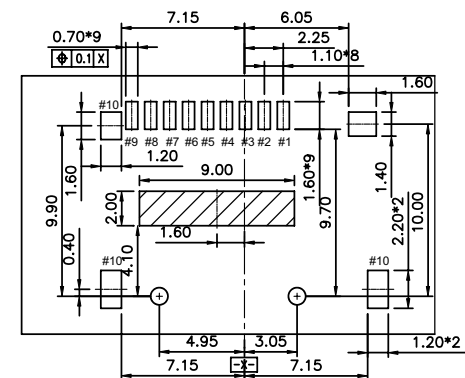


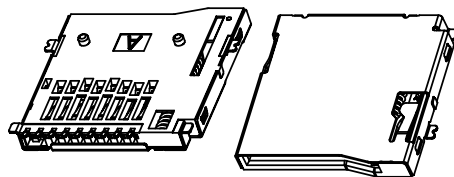
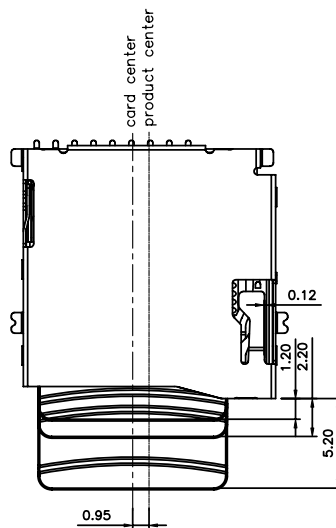
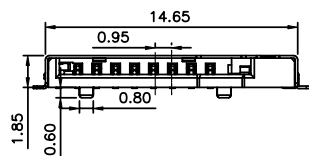
ITEM 項目	PARTS NAME 零件名稱	Q'TY 數量	MATERIAL 材質	FINISH/REMARK 處理/備註
1	HOUSING	1	SYNTHETIC RESIN	BLACK
2	SHELL	1	STAINLESS	Au:0.8~1u" -Lead free on solder tails, Base Nickel:50u"
3	CONTACT-SD	8	COPPER ALLOY	1u"Gold on contact area 100u" Tin-Lead free on solder tails, Base Nickel:50u"



Pin No.	MICRO SD
PIN1	DAT2 1P
PIN2	CD/DAT3 2P
PIN3	CMD 3P
PIN4	VDD 4P
PIN5	CLK 5P
PIN6	VSS 6P
PIN7	DAT0 7P
PIN8	DAT1 8P
PIN9	CARD DETECT
PIN10	RRROUND



RECOMMENDED PCB LAYOUT
(ALL TOLERANCE ARE ±0.05)



SPECIFICATION

MATERIAL

See drawing
STANDARD DATA

Rating current:0.5A

Operating temperature: -40°C ~ +85°C

ELECTRICAL

Insulator resistance: 1000M ohms Min. @ 250V DC

Withstanding voltage: 500V AC/minute

Contact resistance: Initially 50 mΩ Max.

Finally 100 mΩ Max after test.

MECHANICAL

Durability: 10000 cycles Min.

Insertion force: 2.0Kgf Max.

Extraction force: 0.1Kgf Min.

Mating cycle: 10000 cycles at the speed rate of
400-600 cycles/h; Without distortion of plastic and
serious wear and tear in terminal, No signal break.

RoHS Compliant

TOLERANCES ARE

MORETHANALL
PCB CONNECTORS
Cable ASSEMBLIES

煜倫股份有限公司

www.morethanall.com

DRAWING BY CY

CHECKED BY GENIUS

UNIT / mm SCALE 1 : 1

DATE

SIZE A4

X. ± 0.50

.X ± 0.30

.XX ± 0.20

.XXX ±

ANG ± 5°

PJECTION

照片框

ORDER INFORMATION

TFC-WPBP08-08-LF
SERIES | | | | LEADFREE
| | | | 08WAY
| | | | POST 8.0mm
| | | | BOTTOM CONTACT
| | | | PUSH PUSH
| | | | 90°SMT

DESCRIPTION: TF SD (SanDisk-CONNECTOR)