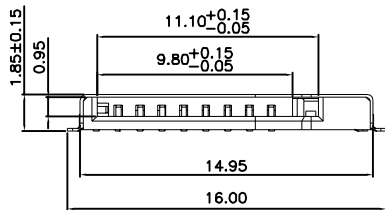


0.70
1.00

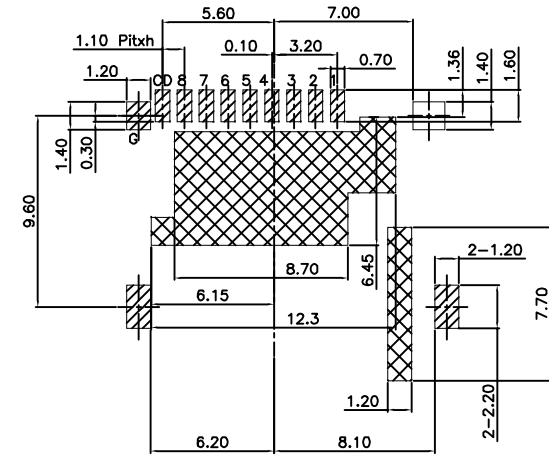
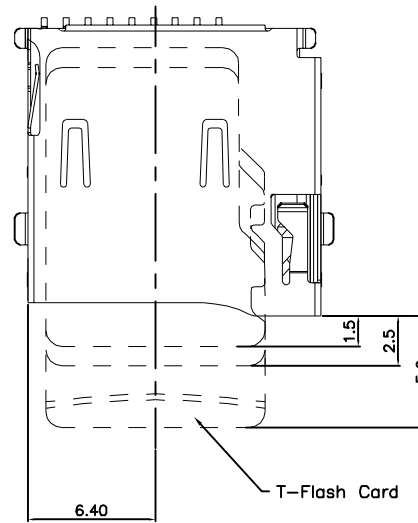


1. MATERIALS:

HOUSING: LCP+30% G.F. BLACK (UL 94V-0)
 SHELL: STAINLESS STEEL, 50u" MIN. NICKEL PLATED OVER ALL
 SPRING: PIANO WIRE BYE BLACK
 TERMINAL: PHOSPHOR BRONZE, GOLD PLATED ON CONTACT AREA
 100u" MIN MATTE TIN PLATED ON SOLDER AREA
 50u" MIN NICKEL UNDER PLATED OVER ALL

2. SPECIFICATION:

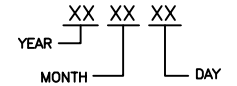
CURRENT RATING: 0.5 AMP MAX
 DIELECTRIC WITHSTANDING: 500V AC FOR ONE MINUTE
 CONTACT RESISTANCE: 100m OHMS MAX
 INSULATION RESISTANCE: 1000M OHMS MIN AT DC 500V
 OPERATION TEMPERATURE: -40°C~+85°C
 *IN ORDER TO AVOID SHORT CIRCUIT NO-PATTERN AREA PROHIBITED
 INSULATION ELECTRONIC ELEMENT



RECOMMENDED P.C. BOARD LAYOUT (TOP VIEW)
 TOLERANCES UNLESS OTHERWISE SPEC. ±0.05

▨ PAD AREA
 ▩ NO-PATTERN AREA

DATE CODE DESCRIPTION



PIN NUMBER	PIN ASSIGNMENT
1	DAT2
2	CD/DAT3
3	CMD
4	VDD
5	CLK
6	VSS
7	DAT0
8	DAT1
Cd	CARD DETECTION
G	GROUND

CARD DETECTION SWITCH	
WHEN CARD IS EJECTED	WHEN CARD IS INSERTED
OPEN	CLOSE
Cd G	Cd G

RoHS Compliant

TOLERANCES ARE

MORETHANALL
 PCB CONNECTORS
 Cable ASSEMBLIES

DRAWING BY CY

CHECKED BY GENIUS

UNIT / mm

SCALE 1 : 1

DATE

SIZE A4

PJECTION

X, ±
 .X ± 0.30
 .XX ± 0.20
 .XXX ± 0.10
 ANG ± 3°



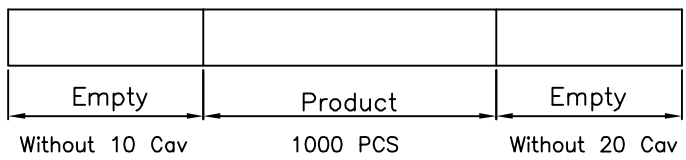
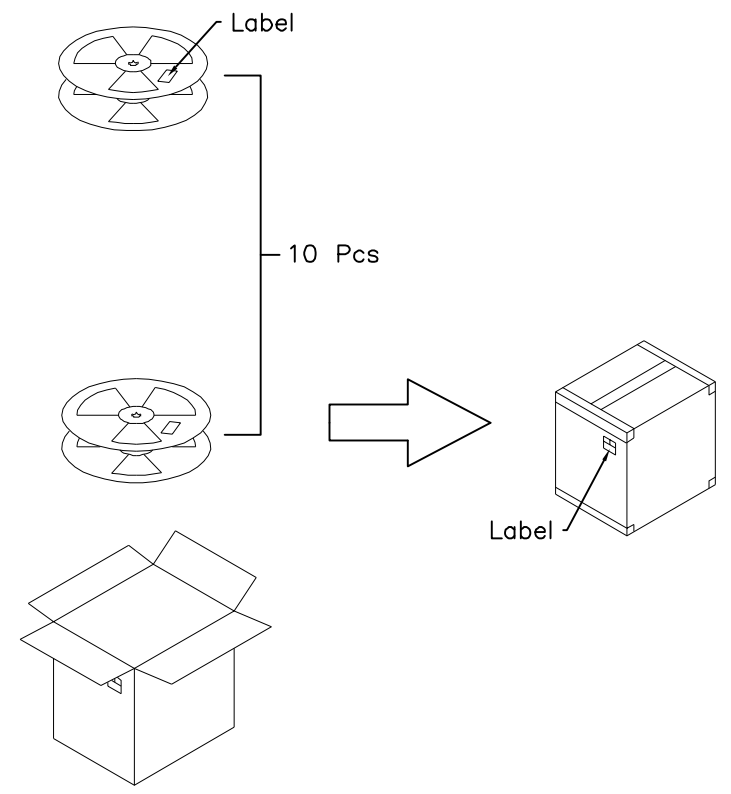
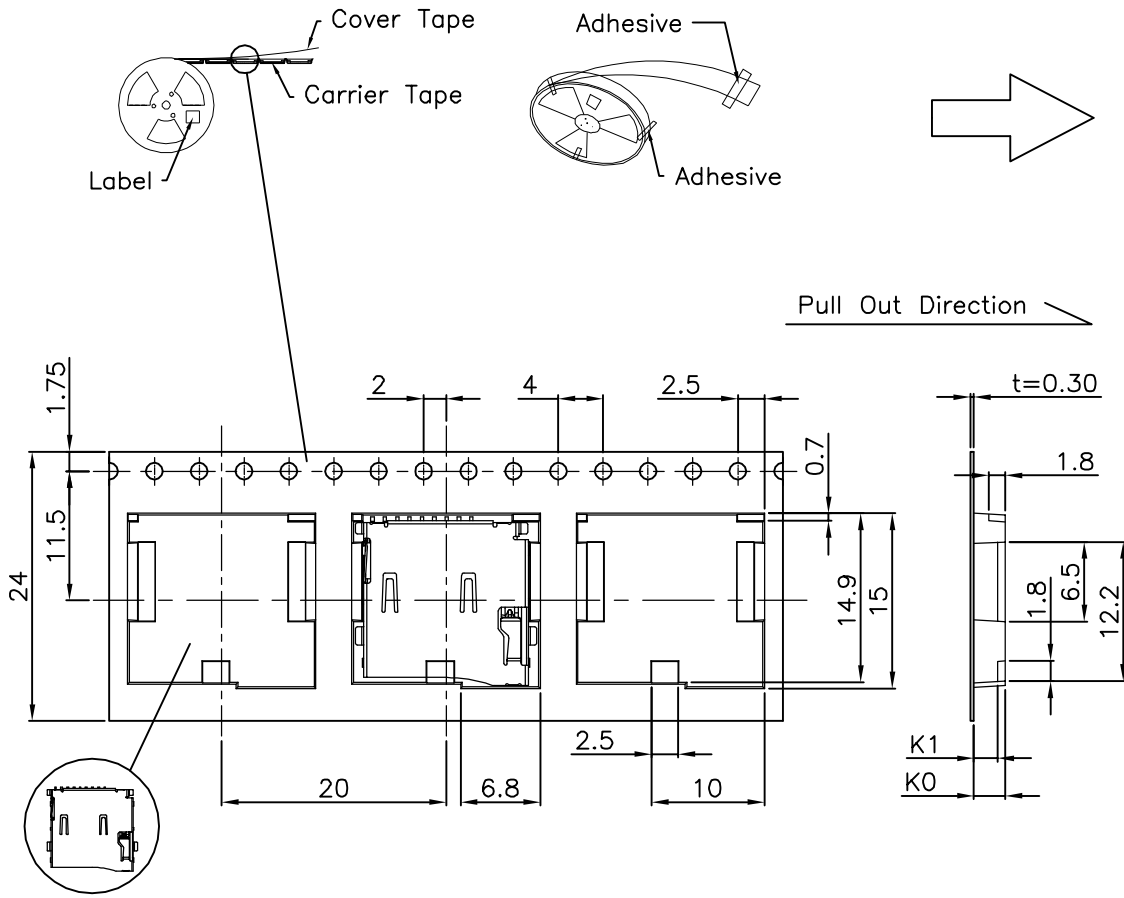
ORDER INFORMATION

TFC-WPBE15BR-08-LF
 SERIES | | | | LEADFREE
 | | | | 08WAY
 | | | | REEL
 90°SMT | | | | B TYPE
 PUSH PUSH | | | | EAR TO EAR 15.26mm
 | | | | BOTTOM CONTACT

DESCRIPTION: MICRO SD (T-FLASH), SMT, FEMALE, PUSH-PUSH TYPE

煜倫股份有限公司

www.morethanall.com



Part No	REEL/PCS	CARTON/REEL	CARTON/PCS
TFC-WPBE15BR-08	1/1000	1/10	1/10000

RoHS Compliant

TOLERANCES ARE

MORETHANALL
PCB CONNECTORS
Cable ASSEMBLIES

DRAWING BY CY

X. ±
.X ± 0.30

CHECKED BY GENIUS

.XX ± 0.20

UNIT / mm

SCALE 1 : 1

.XXX ± 0.10

DATE

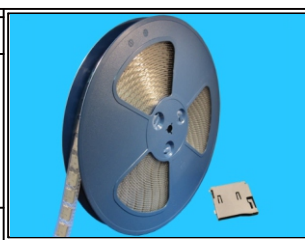
ANG ± 3°

煜倫股份有限公司

www.morethanall.com

SIZE A4

PPOJECTION



ORDER INFORMATION

TFC-WPBE15BR-08-LF
SERIES | | | | LEADFREE
| | | | 08WAY
| | | | REEL
90°SMT | | | | B TYPE
PUSH PUSH | | | | EAR TO EAR 15.26mm
| | | | BOTTOM CONTACT

DESCRIPTION: Packing For Micro SD (T-Flash), PCB Mount, SMT, Metal Shield, Female, Push-Push Type