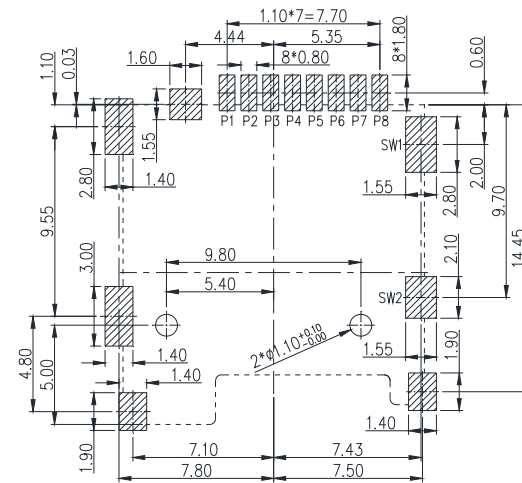


Unit: mm; Tolerances: ± 0.15 mm
Figure 5.1 Mechanical outline dimension



Unit: mm; Tolerances: ± 0.05 mm
Figure 5.2 Reference dimension for PCB layout

Note:

1. Coplanarity of solder pins 0.10mm max.
2. Recommended thickness of solder paste > 0.15mm.

MORETHANALL
PCB CONNECTORS
Cable ASSEMBLIES

煜倫股份有限公司

www.morethanall.com

RoHS Compliant

DRAWING BY CY

CHECKED BY GENIUS

UNIT / mm SCALE 1 : 1

DATE

SIZE A4

TOLERANCES ARE

X, \pm

.X \pm

.XX \pm

.XXX \pm

ANG \pm

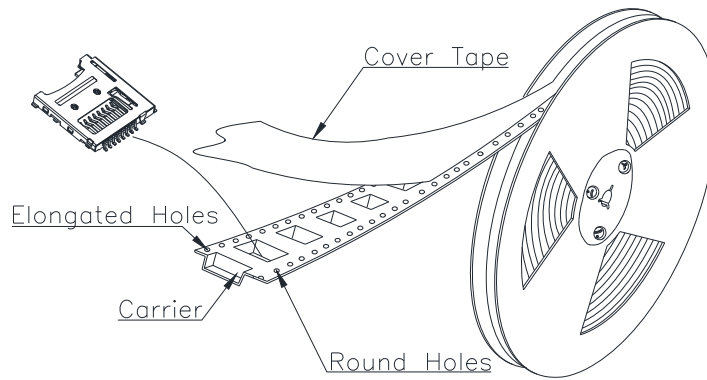
PJECTION

照片框

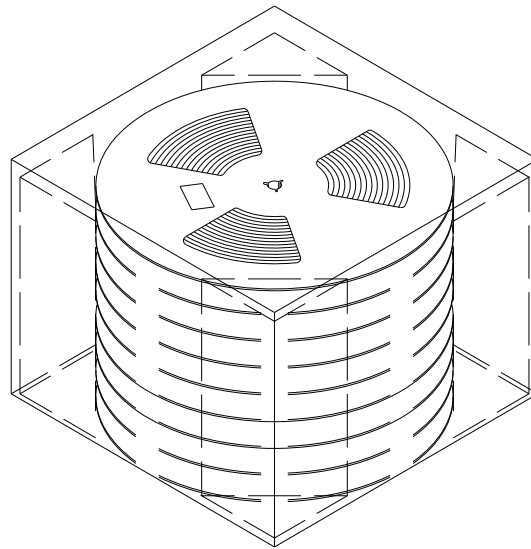
ORDER INFORMATION

TFC-WPAP09R-08-LF
SERIES T T T T T T T T T T LEADFREE
08WAY
REEL
90°SMT POST 9.8mm
PUSH PUSH POST UPPER CONTACT

DESCRIPTION:



N.W.: 0.36 KGS
G.W.: 0.99 KGS
Q'TY: 700 PCs per reel
Meas.: dia. 33 CM, W 3.2 CM



N.W.: 2.91 KGS
G.W.: 8.81 KGS
Q'TY: 5,600 PCs per carton
 (8 reels set in order)
Meas.: 36.5L x 36.5W x 36.0H CM

RoHS Compliant

TOLERANCES ARE

MORETHANALL
 PCB CONNECTORS
 Cable ASSEMBLIES

煜倫股份有限公司

www.morethanall.com

DRAWING BY CY

CHECKED BY GENIUS

UNIT / mm

SCALE 1 : 1

DATE

SIZE A4

X. ±
 .X ±
 .XX ±
 .XXX ±
 ANG ±

P PROJECTION

照片框

ORDER INFORMATION

TFC-WPAP09R-08-LF
 SERIES | | | | | LEADFREE
 | | | | | 08WAY
 | | | | | REEL
 | | | | | POST 9.8mm
 90°SMT | | | | |
 PUSH PUSH | | | | | POST
 | | | | | UPPER CONTACT

DESCRIPTION: