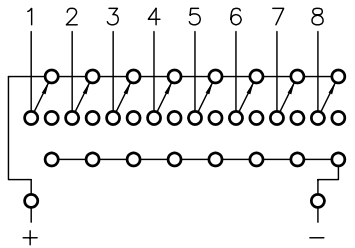
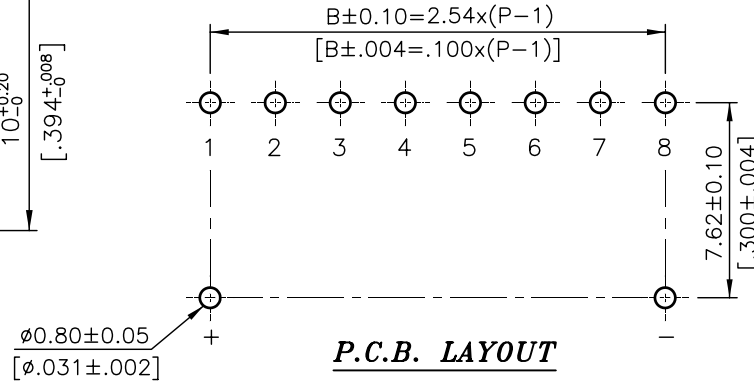
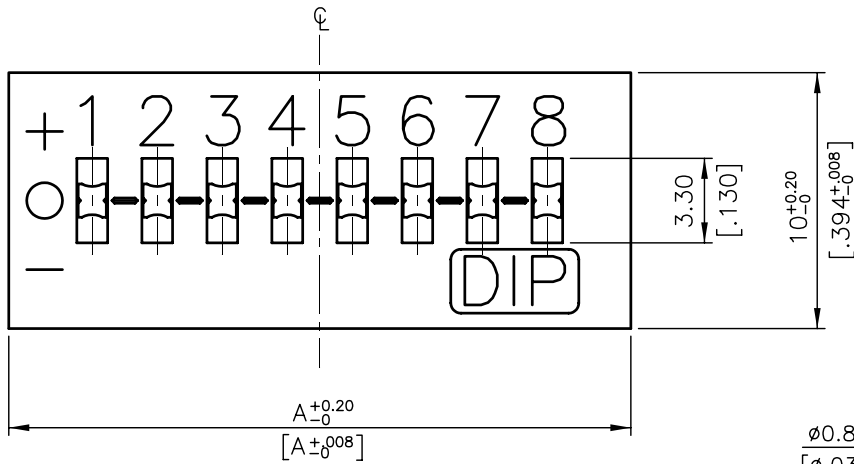


NOTE: 1. ALL DIMENSIONS ARE IN MILLIMETERS, BRACKETED DIMENSIONS ARE IN INCHES.

**2. GENERAL TOLERANCES: 10mm OVER - ±0.20mm.
10mm BELOW - ±0.10mm.**

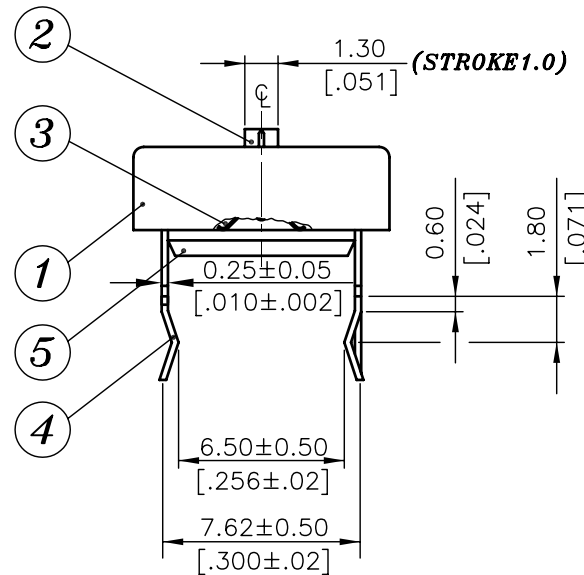
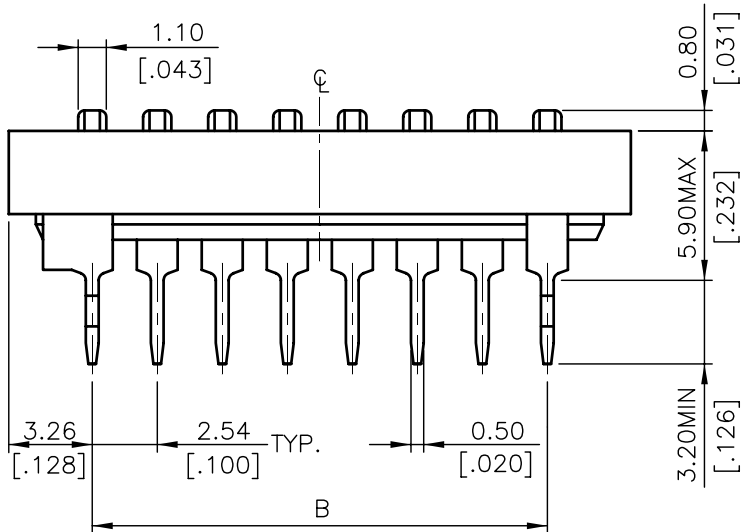
3. MATERIAL: SEE PAGE 3 OF 3.



CIRCUIT DIAGRAM

TDS-D-xx-LF
LEADFREE

RoHS Compliant



TDS-D-12	12	34.46[1.357]	27.94[1.100]
* TDS-D-10	10	29.38[1.157]	22.86[.900]
* TDS-D-09	9	26.84[1.057]	20.32[.800]
* TDS-D-08	8	24.30[.957]	17.78[.700]
TDS-D-07	7	21.76[.857]	15.24[.600]
TDS-D-06	6	19.22[.757]	12.70[.500]
TDS-D-05	5	16.68[.657]	10.16[.400]
* TDS-D-04	4	14.14[.557]	7.62[.300]
TDS-D-03	3	11.60[.457]	5.08[.200]
TDS-D-02	2	9.06[.357]	2.54[.100]
PROD. NO.	NO. OF POS.	DIM. A	DIM. B

MORE THAN ALL
CONNECTORS
ASSEMBLIES

煜倫股份有限公司

PART NO. TDS-D-xx

DWG NO. TDS-D-xx

FILE NO.

UNIT / mm

SCALE 1:1

CHECKED BY CY

DRAWING BY

PROJECTION

TOLERANCES ARE

.X ± 0.2
.XX ± 0.1
.XXX ±
AWG

DESCRIPTION: **TRI-STATE DIP SWITCHES**

AREA

REVISIONS

HK

DATE