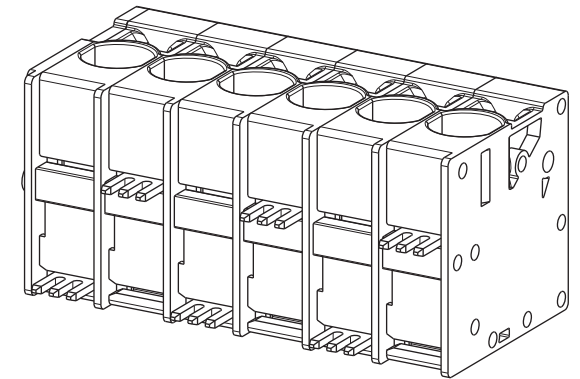
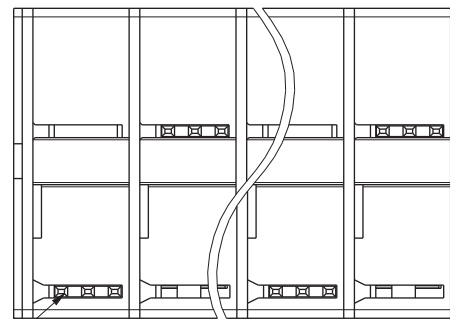


PCB LAYOUT



| | | | | | | | | | | | |
|---|-------|-------|-------|-------|-------|-------|-------|-------|--------|--------|--------|
| P | 2 | 3 | 4 | 5 | 6 | 7 | 8 | 9 | 10 | 11 | 12 |
| A | 10.00 | 20.00 | 30.00 | 40.00 | 50.00 | 60.00 | 70.00 | 80.00 | 90.00 | 100.00 | 110.00 |
| B | 21.80 | 31.80 | 41.80 | 51.80 | 61.80 | 71.80 | 81.80 | 91.80 | 101.80 | 111.80 | 121.80 |

| Total Pitch Tolerances | | Normal dimension Tolerances | |
|------------------------|-------|-----------------------------|-------|
| 0-30 | ±0.20 | 0-30 | ±0.25 |
| over 30-53 | ±0.25 | over 30-53 | ±0.30 |
| over 53-70 | ±0.30 | over 53-70 | ±0.35 |
| over 70-90 | ±0.35 | over 70-90 | ±0.44 |
| over 90-115 | ±0.44 | over 90-115 | ±0.55 |
| over 115-150 | ±0.55 | over 115-150 | ±0.70 |
| over 150-200 | ±0.70 | over 150-200 | ±0.85 |
| over 200-250 | ±0.85 | over 200-250 | ±1.00 |
| over 250-320 | ±1.00 | over 250-320 | ±1.20 |



| | | | |
|------|--------------|--------------|------------------|
| 6 | SPRING | STEEL | |
| 5 | SOLDER PIN2 | COPPER ALLOY | Tin Plated |
| 4 | SOLDER PIN1 | COPPER ALLOY | Tin Plated |
| 3 | HOUSING2 | PA66 | UL94-V0 BLACK |
| 2 | HOUSING1 | PA66 | UL94-V0 BLACK |
| 1 | COVER | PA66 | UL94-V0 BLACK |
| ITEM | NAME OF PART | MATERIAL | NOTES |

RoHS Compliant

TOLERANCES ARE

MORETHANALL
PCB CONNECTORS
Cable ASSEMBLIES

DRAWING BY CY

X.±

CHECKED BY GENIUS

.X±

UNIT/mm

SCALE 1:1

.XXX±

DATE

ANG±

SIZE A4

PJECTION

照片框

ORDER INFORMATION

TBY100-R30R-xx-LF

SERIES

DIP 90°

LEADFREE

02:02 POLES

12:12 POLES

R TYPE FOOT

HIGH 30.0mm

煜倫股份有限公司

www.morethanall.com

DESCRIPTION:

一般資訊 / General Information

| | |
|--------------------------------------|-------------------|
| 间距/ Pitch (mm) | 10.00 |
| 产品标准颜色/ Color | Black |
| 接线方式/Connection method | Spring Connection |
| 固定方式/ Type of locking | Without |
| 焊接方式/Soldering Method | Wave soldering |
| 产品长度/ Length (mm) | 10.00*P+1.80 |
| 产品宽度/ Width (mm) | 29.00 |
| 产品高度/ Height (mm) | 30.00 |
| 引脚尺寸(厚度_x_宽度_mm)/ Pin dimensions(mm) | 1.00 x 1.20 |
| 焊孔直径(mm)/ PCB hole diameter(mm) | ∅1.7 |
| 产品点数/Number of poles | 2~12 |

材料信息/ Material Information

| | |
|---|---------------------|
| 绝缘材料/ Insulating material | PA66 |
| 绝缘材料组别 / Insulating material group | I |
| 阻燃等级,符合 UL94 / UL94 Flammability rating | V0 |
| 绝缘阻抗/ Insulation resistance | ≥500 MΩ at DC 500 V |
| 导体材料/Contact material | Copper Alloy |
| 导体表面镀层/Contact surface | Tinned |

IEC数据 / IEC Data

| | |
|---|----------------------|
| 额定电压 / Rated Voltage | 1000 V |
| 额定电流 / Rated Current | 76 A |
| 额定电压 (II/2) / Rated Voltage (II/2) | 1000 V |
| 额定电压 (III/2) / Rated Voltage (III/2) | 1000 V |
| 额定电压 (III/3) / Rated Voltage (III/3) | 1000 V |
| 额定冲击电压(II/2) / Rated Impulse Voltage (II/2) | 8 kV |
| 额定冲击电压(III/2) / Rated Impulse Voltage (III/2) | 8 kV |
| 额定冲击电压(III/3) / Rated Impulse Voltage (III/3) | 8 kV |
| 最大硬质导线横截面积 / Conductor cross section solid. max (mm ²) | 16 mm ² |
| 最小硬质导线横截面积 / Conductor cross section solid. min (mm ²) | 0.75 mm ² |

| | |
|--|----------------------|
| 最大柔性导线横截面积/ Conductor cross section stranded. max (mm ²) | 16 mm ² |
| 最小柔性导线横截面积/ Conductor cross section stranded. min (mm ²) | 0.75 mm ² |
| 柔性导线横截面积 · 最大的管状裸端子 / Conductor cross section flexible, with max ferrule without insulation (mm ²) | 16 mm ² |
| 柔性导线横截面积 · 最小的管状裸端子 / Conductor cross section flexible, with min ferrule without insulation (mm ²) | 0.75 mm ² |
| 柔性导线横截面积 · 最大的管状预绝缘端子 / Conductor cross section flexible, with max ferrule with insulation (mm ²) | 10 mm ² |
| 柔性导线横截面积 · 最小的管状预绝缘端子 / Conductor cross section flexible, with min ferrule with insulation (mm ²) | 0.75 mm ² |
| 螺丝刀规格/Screwdriver size | 0.8X4 |
| 剥线长度 (mm) / Stripping Length | 18~20 mm |

UL数据 / UL Data

| | |
|--|--------|
| 额定电压 (UL/CUL 标准组 B 组)/Rated Voltage (UL/CUL B Group) | 600 V |
| 额定电流 (UL/CUL 标准组 B 组)/Rated Current (UL/CUL B Group) | 66 A |
| 额定电压 (UL/CUL 标准组 C 组)/ Rated Voltage (UL/CUL C Group) | 600 V |
| 额定电流 (UL/CUL 标准组 C 组)/Rated Current (UL/CUL C Group) | 66 A |
| 额定电压 (UL/CUL 标准组 D 组)/ Rated Voltage (UL/CUL D Group) | 600 V |
| 额定电流 (UL/CUL 标准组 D 组)/Rated Current (UL/CUL D Group) | 5 A |
| 最小硬质导线横截面积 /Min. solid wire connection AWG acc. to UL/CUL | AWG 20 |
| 最大硬质导线横截面积 /Max. solid wire connection AWG acc. to UL/CUL | AWG 4 |
| 最小柔性导线横截面积 /Min. stranded wire connection AWG acc. to UL/CUL | AWG 20 |
| 最大柔性导线横截面积 /Max. stranded wire connection AWG acc. to UL/CUL | AWG 4 |

环境与安全/ Environmental and safety

| | |
|-------------------------------------|--------|
| 手指防护(YES or NO) / Finger protection | YES |
| 最高工作温度 / Max. operating temperature | 120 °C |
| 最低工作温度 / Min. operating temperature | -40 °C |

产品认证/许可/ Approvals



UL Recognized 

| | |
|--------------------------|-------|
| 线径范围 B 组/Wire Range(AWG) | 20~4 |
| 额定电流 B 组/Rated Current | 66 A |
| 额定电压 B 组/Rated Voltage | 600 V |
| 线径范围 C 组/Wire Range(AWG) | 20~4 |
| 额定电流 C 组/Rated Current | 66 A |
| 额定电压 C 组/Rated Voltage | 600 V |
| 线径范围 D 组/Wire Range(AWG) | 20~4 |
| 额定电流 D 组/Rated Current | 5 A |
| 额定电压 D 组/Rated Voltage | 600 V |

CUL Recognized 

| | |
|--------------------------|-------|
| 线径范围 B 组/Wire Range(AWG) | 20~4 |
| 额定电流 B 组/Rated Current | 66 A |
| 额定电压 B 组/Rated Voltage | 600 V |
| 线径范围 C 组/Wire Range(AWG) | 20~4 |
| 额定电流 C 组/Rated Current | 66 A |
| 额定电压 C 组/Rated Voltage | 600 V |
| 线径范围 D 组/Wire Range(AWG) | 20~4 |
| 额定电流 D 组/Rated Current | 5 A |
| 额定电压 D 组/Rated Voltage | 600 V |

VDE Approval 

| | |
|-------------------------------------|---------|
| 线径范围 / Wire Range(mm ²) | 0.75~16 |
| 额定电流 / Rated Current | 76 A |
| 额定电压 / Rated Voltage | 1000 V |

降额曲线图 / Derating Curve

