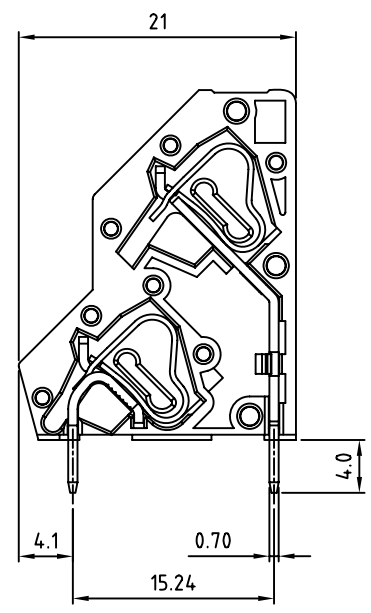
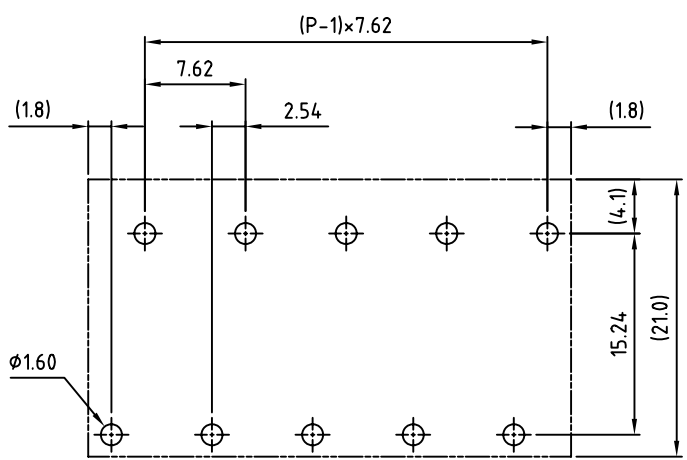


P=Number of Poles



- Material:
- Terminal body
  - (Contact pin): Brass
  - Wire guard: Stainless steel
  - Surface of solder tail: Tin plated
  - Insulator(housing): Thermoplastic (UL94V-0)

- Electrical: cULus
- Voltage rating: 300V
  - Current rating: 10A
  - Wire range:
  - Solid wire(AWG): 12-28
  - Stranded wire(AWG): 12-28
  - Wire strip length: 5-6mm
  - Withstanding Voltage: 1.6KV
  - Operating temperature: -30°C to +105°C
  - Soldering temperature: 245°C±10°C/5 Sec



PCB Layout

Poles	Tolerance
2P-4P	±0.50
5P-8P	±0.60
10P-12P	±0.80

TBY076B06-A26L-xx-LF  
LEADFREE

RoHS Compliant



PART NO. TBY076B06-A26L-xx

DWG NO. TBY076B06-A26L-xx

FILE NO.

CHECKED BY CY

DRAWING BY

TOLERANCES ARE  
.X ± 0.2  
.XX ±  
.XXX ±  
AWG

DESCRIP TION:

煜倫股份有限公司

UNIT / mm

SCALE 1:1

PROJECTION

AREA

REVISIONS

HK

DATE