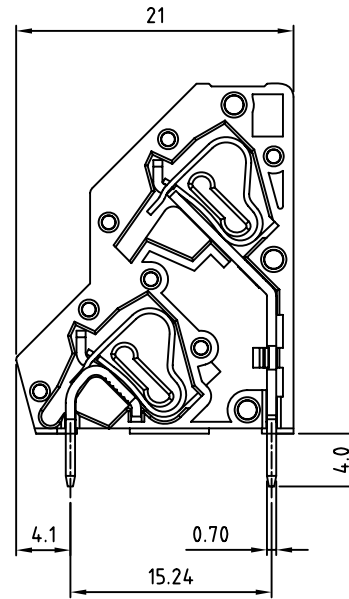


P=Number of Poles



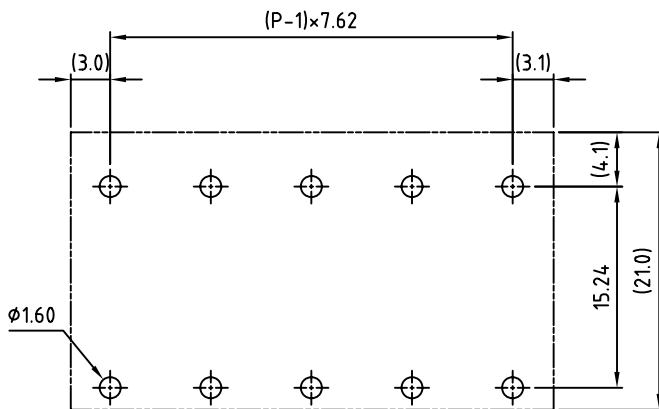
- Material:
- Terminal body
  - (Contact pin): Brass
  - Wire guard: Stainless steel
  - Surface of solder tail: Tin plated
  - Insulator(housing): Thermoplastic (UL94V-0)

- Electrical: cULus
- Voltage rating: 300V
  - Current rating: 10A
  - Wire range:
  - Solid wire(AWG): 12-28
  - Stranded wire(AWG): 12-28
  - Wire strip length: 5-6mm
  - Withstanding Voltage: 1.6KV
  - Operating temperature: -30°C to +105°C
  - Soldering temperature: 245°C±10°C/5 Sec

TBY076B06-A26-xx-LF  
LEADFREE

RoHS Compliant

Poles	Tolerance
2P-4P	±0.50
5P-8P	±0.60
10P-12P	±0.80



PCB Layout

**MORETHANALL**  
CONNECTORS  
ASSEMBLIES

PART NO. TBY076B06-A26-xx

DWG NO. TBY076B06-A26-xx

FILE NO.

UNIT / mm

SCALE 1:1

CHECKED BY CY

DRAWING BY

PROJECTION



TOLERANCES ARE

.X ± 0.2  
.XX ±  
.XXX ±  
AWG

DESCRIPTION:

AREA

REVISIONS

HK

DATE

焜倫股份有限公司