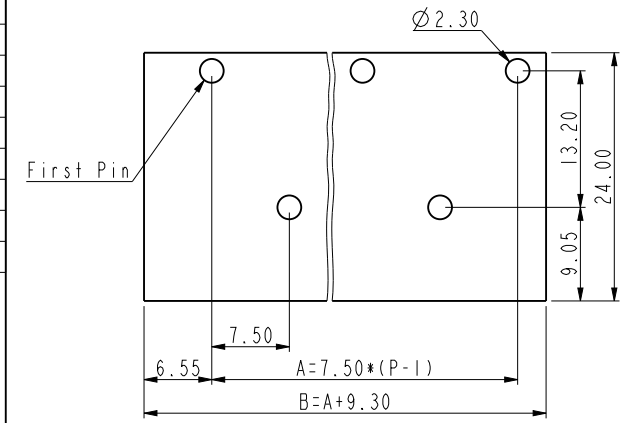
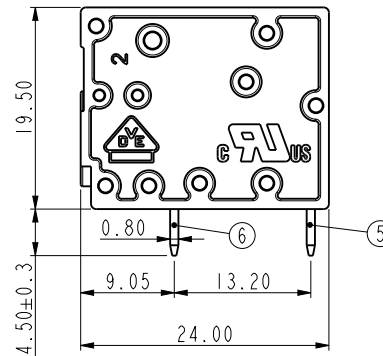


P	2	3	4	5	6
A	7.50	15.00	22.50	30.00	37.50
B	16.80	24.30	31.80	39.30	46.80
P	7	8	9	10	11
A	45.00	52.50	60.00	67.50	75.00
B	54.30	61.80	69.30	76.80	84.30
P	12	13	14	15	16
A	82.50	90.00	97.50	105.00	112.50
B	91.80	99.30	106.80	114.30	121.80



PCB LAYOUT



6	SOLDER PIN 2	COPPER ALLOY	Tin Plated
5	SOLDER PIN 1	COPPER ALLOY	Tin Plated
4	PUSH-IN CLAMP	STAINLESS STEEL	
3	HOUSING 2	PA66	UL94-V0 BLACK
2	HOUSING 1	PA66	UL94-V0 BLACK
1	COVER 1	PA66	UL94-V0 BLACK
ITEM	NAME OF PART	MATERIAL	NOTES

Total Pitch Tolerances		Normal dimension Tolerances	
0~30	±0.20	0~30	±0.25
over 30~53	±0.25	over 30~53	±0.30
over 53~70	±0.30	over 53~70	±0.35
over 70~90	±0.35	over 70~90	±0.44
over 90~115	±0.44	over 90~115	±0.55
over 115~150	±0.55	over 115~150	±0.70
over 150~200	±0.70	over 150~200	±0.85
over 200~250	±0.85	over 200~250	±1.00
over 250~320	±1.00	over 250~320	±1.20

Wire Range, AWG	Wire Type	Voltage V	Current A
24-8	Cu	600	36

RoHS Compliant

TOLERANCES ARE

**MORETHANALL**  
PCB CONNECTORS  
Cable ASSEMBLIES

煜倫股份有限公司

www.morethanall.com

DRAWING BY CY

CHECKED BY GENIUS

UNIT / mm SCALE 1:1

DATE

SIZE A4

X, ±  
.X ±  
.XX ±  
.XXX ±  
ANG ±

P PROJECTION

照片框

ORDER INFORMATION

TBY075-R19R-xx-LF

SERIES | LEADFREE  
| 02:02 POLES  
| 16:16 POLES  
DIP 90° | R TYPE FOOT  
HIGH 19.5mm

DESCRIPTION:

**一般資訊 / General Information**

产品长叙述/Long description	PCB Terminal Blocks , Spring Clamp Connection , Pitch :7.50mm , UL:600V , 36A , IEC:1000V , 41A
产品类型/Category	PCB Terminal Blocks
间距/ Pitch (mm)	7.50
产品颜色/ Color	Refer to drawing
接线方式/Connection method	Spring Clamp Connection
固定方式/ Type of locking	Without
焊接方式/Soldering Method	Wave Soldering
产品长度/ Length (mm)	7.50*P+1.80
产品宽度/ Width (mm)	24. 00
产品高度/ Height (mm)	19. 50
引脚尺寸(厚度___x 宽度___mm)/ Pin dimensions(mm)	0.8x1.7
焊孔直径/ PCB hole diameter(mm)	2.3

**材料信息/ Material Information**

绝缘材料/ Insulating material	PA66
绝缘材料组别 / Insulating material group	I
阻燃等级,符合 UL94 / UL94 Flammability rating	V0
绝缘阻抗/ Insulation resistance	> 500MΩ at DC 500v
导体材料/Contact material	COPPER ALLOY
导体表面镀层/Contact surface	Tin Plated

**IEC数据 / IEC Data**

额定电压 / Rated Voltage (V)	1000
额定电流 / Rated Current (A)	41
额定电压 (II/2) / Rated Voltage (II/2) (V)	1000
额定电压 (III/2) / Rated Voltage (III/2) (V)	1000
额定电压 (III/3) / Rated Voltage (III/3) (V)	800
额定冲击电压(II/2) / Rated Impulse Voltage (II/2) (kV)	8
额定冲击电压(III/2) / Rated Impulse Voltage (III/2) (kV)	8
额定冲击电压(III/3) / Rated Impulse Voltage (III/3) (kV)	8

最小硬质导线横截面积/ Conductor cross section solid. min ( mm <sup>2</sup> )	0.2
最大硬质导线横截面积/ Conductor cross section solid. max ( mm <sup>2</sup> )	10
最小柔性导线横截面积/ Conductor cross section stranded. min ( mm <sup>2</sup> )	0.2
最大柔性导线横截面积/ Conductor cross section stranded. max ( mm <sup>2</sup> )	6
柔性导线横截面积，最小的管状裸端子 / Conductor cross section flexible, with min ferrule without insulation (mm <sup>2</sup> )	0.25
柔性导线横截面积，最大的管状裸端子 / Conductor cross section flexible, with max ferrule without insulation (mm <sup>2</sup> )	6
柔性导线横截面积，最小的管状预绝缘端子 / Conductor cross section flexible, with min ferrule with insulation (mm <sup>2</sup> )	0.25
柔性导线横截面积，最大的管状预绝缘端子 / Conductor cross section flexible, with max ferrule with insulation (mm <sup>2</sup> )	4
具有相同截面积的二根柔性导线，最小管状裸端子 / 2 conductors with same cross section flexible, with min ferrule without insulation (mm <sup>2</sup> )	0.25
具有相同截面积的二根柔性导线，最大的管状裸端子 / 2 conductors with same cross section flexible, with max ferrule without insulation (mm <sup>2</sup> )	4
具有相同截面积的二根柔性导线，最小双线管状预绝缘端子 / 2 conductors with same cross section flexible, min ferrule with insulation for double wire (mm <sup>2</sup> )	0.25
具有相同截面积的二根柔性导线，最大的双线管状预绝缘端子 / 2 conductors with same cross section flexible, max ferrule with insulation for double wire (mm <sup>2</sup> )	1.5
螺丝刀规格/Screwdriver size	0.6x3.5
剥线长度 / Stripping Length(mm)	15

## UL数据 / UL Data

额定电压 (UL/CUL 标准组 B 组)/Rated Voltage (UL/CUL B Group) (V)	600
额定电流 (UL/CUL 标准组 B 组)/Rated Current (UL/CUL B Group) (A)	36
额定电压 (UL/CUL 标准组 C 组)/ Rated Voltage (UL/CUL C Group) (V)	600
额定电流 (UL/CUL 标准组 C 组)/Rated Current (UL/CUL C Group) (A)	36
AWG,符合 UL/CUL, min/Min.connection AWG acc. to UL/CUL	24
AWG,符合 UL/CUL, max/Max.connection AWG acc. to UL/CUL	8
AWG,符合 UL/CUL, Sol. min/Min.. solid wire connection AWG acc. to UL/CUL	24
AWG,符合 UL/CUL, Sol. max/Max.. solid wire connection AWG acc. to UL/CUL	8

## 环境与安全/ Environmental and safety

手指防护(YES or NO) / Finger protection	YES
最高工作温度 / Max. operating temperature(°C)	115
最低工作温度 / Min. operating temperature(°C)	-40

产品认证/许可/ **Approvals****UL Recognized** 

线径范围 B 组/Wire Range(AWG)	24~8
额定电压 B 组/Rated Voltage(V)	600
额定电流 B 组/Rated Current (A)	36
线径范围 C 组/Wire Range(AWG)	24~8
额定电压 C 组/Rated Voltage(V)	600
额定电流 C 组/Rated Current (A)	36

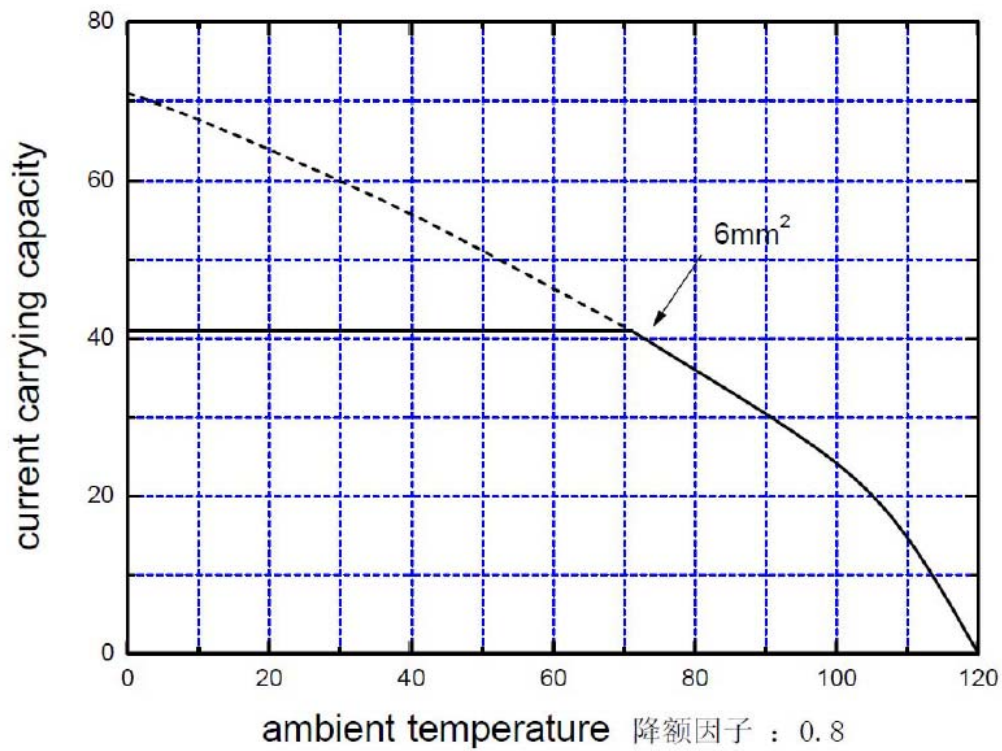
**CUL Recognized** 

线径范围 B 组/Wire Range(AWG)	24~8
额定电压 B 组/Rated Voltage(V)	600
额定电流 B 组/Rated Current (A)	36
线径范围 C 组/Wire Range(AWG)	24~8
额定电压 C 组/Rated Voltage(V)	600
额定电流 C 组/Rated Current (A)	36

**VDE Approval**

线径范围 / Wire Range(mm <sup>2</sup> )	0.2~6
额定电压 / Rated Voltage(V)	1000
额定电流 / Rated Current (A)	41

降额曲线图 / *Derating Curve*



Reduction factor=0.8