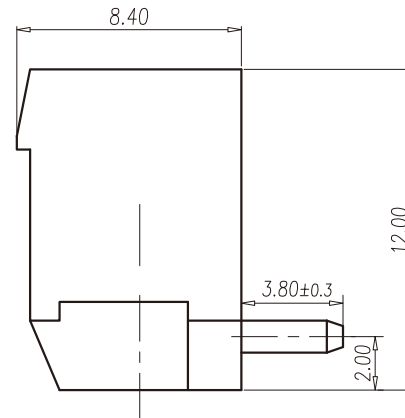
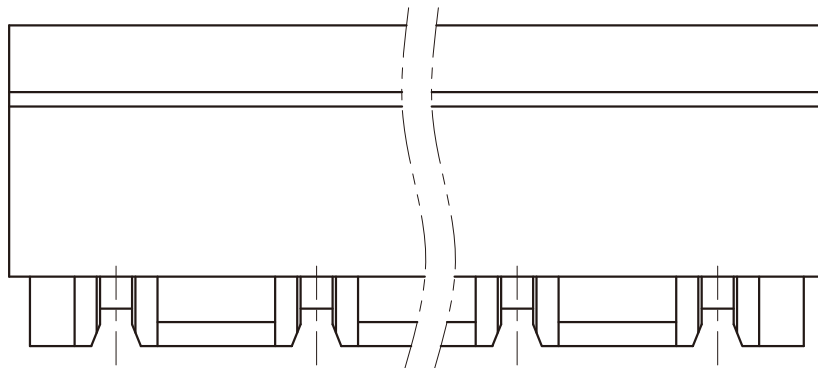


P.C.B. LAYOUT (S=4/1)



NOTES:

1. Rating: 300V 15A
PITCH: 7.50 mm
2. Insulation Withstands Voltage:
AC 2000V at 1 minute
3. Insulation Resistance:
500M Ω or more at DC500V
4. Using Temperature Range:
-40°C ~ +105°C
5. RoHS compliance

ITEM	NAME OF PART	MATERIAL	NOTES
2	SOLDER PIN	COPPER-ALLOY	Tin Plated
1	HOUSING	PA	GRAY

RoHS Compliant

TOLERANCES ARE

MORETHANALL
PCB CONNECTORS
Cable ASSEMBLIES

煜倫股份有限公司

www.morethanall.com

DRAWING BY CY

CHECKED BY GENIUS

UNIT / mm SCALE 1 : 1

DATE

SIZE A4

X, \pm
.X, \pm
.XX, \pm
.XXX, \pm
ANG, \pm

PJECTION

照片框

ORDER INFORMATION

TBY075-PRB-xx-LF

SERIES LEADFREE
02~24WAY
BOX
DIP 90°
MALE

DESCRIPTION: