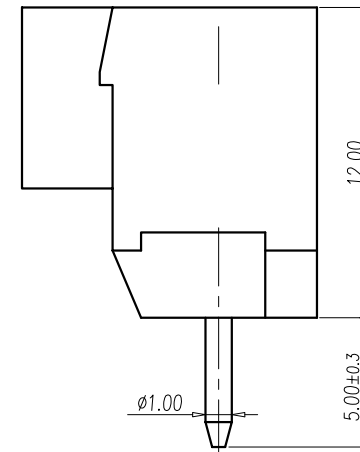
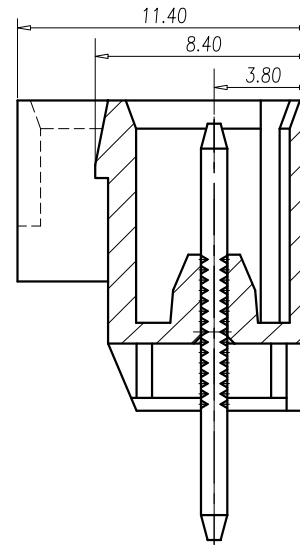
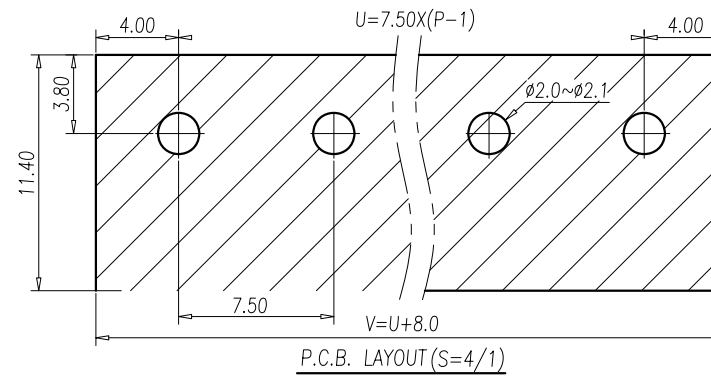


2	SOLDER PIN	COPPER-ALLOY	Tin Plated
1	HOUSING	PA66	UL94-V0 GRAY
ITEM	NAME OF PART	MATERIAL	NOTES



NOTES:

- Rating: 300V 15A
PITCH: 7.50 mm
- Insulation Withstands Voltage:
AC 2000V at 1 minute
- Insulation Resistance:
500MΩ or more at DC500V
- Using Temperature Range:
-40°C ~ +105°C
- RoHS Compliance

Normal Geometric Tolerancing			
	-	//	⊥
0 to 100	0.2		0 to 10 0.2
over 100 to 150	0.3	0.3	over 10 0.3
over 150	0.5		
Total Pitch Tolerances		Normal dimension Tolerances	
0<U≤30	±0.20	0~30	±0.25
30<U≤53	±0.25	over 30~53	±0.30
53<U≤70	±0.30	over 53~70	±0.35
70<U≤90	±0.35	over 70~90	±0.44
90<U≤115	±0.44	over 90~115	±0.55
115<U≤150	±0.55	over 115~150	±0.70
150<U≤200	±0.70	over 150~200	±0.85
200<U≤250	±0.85	over 200~250	±1.00
250<U≤320	±1.00	over 250~320	±1.20

RoHS Compliant

TOLERANCES ARE

MORETHANALL
PCB CONNECTORS
Cable ASSEMBLIES

DRAWING BY CY

X, ±

CHECKED BY GENIUS

.X ±

UNIT / mm SCALE 1 : 1

.XXX ±

DATE

ANG ±

SIZE A4

PJECTION

照片框

ORDER INFORMATION

TBY075-PD12-xx-LF

SERIES

LEADFREE
02~16 WAY
HIGH 12.0mm
DIP 180°
MALE

煜倫股份有限公司

www.morethanall.com

DESCRIPTION: