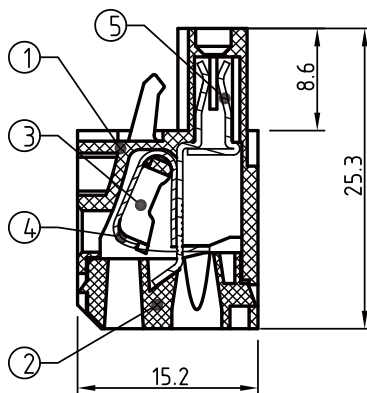
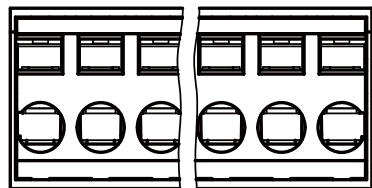


N=NUMBER OF CONTACTS



Material:

- Item 1 Insulating body Thermoplastic (UL94V-0)
- Item 2 Insulating cover Thermoplastic (UL94V-0)
- Item 3 Insulating spacer Thermoplastic (UL94V-0)
- Item 4 Contacts pin PhBz (CuSn) Tin plated
- Item 5 Wire guard Stainless Steel

Electrical: cULus

- Voltage rating: 300VAC
- Current rating: 10A
- Wire range:
- Solid wire(AWG): 12-26
- Stranded wire(AWG): 14-26
- ▲ ● Wire strip length: 9-10mm
- Withstanding Voltage: 1.6KV
- ▲ ● Operating temperature: -40°C to +115°C
- Soldering temperature:
- Safety Approval:

POLES	DIM L	DIM B	TOLERANCE	POLES	DIM L	DIM B	TOLERANCE
2P	10.16	5.08	+0.15 -0.15	13P	66.04	60.96	+0.35 -0.35
3P	15.24	10.16		14P	71.12	66.04	
4P	20.32	15.24		15P	76.20	71.12	
5P	25.40	20.32		16P	81.28	76.20	
6P	30.48	25.40	+0.25 -0.25	17P	86.36	81.28	+0.40 -0.40
7P	35.56	30.48		18P	91.44	86.36	
8P	40.64	35.56		19P	96.52	91.44	
9P	45.72	40.64		20P	101.60	96.52	
10P	50.80	45.72		21P	106.68	101.60	
11P	55.88	50.80		22P	111.76	106.68	
12P	60.96	55.88		23P	116.84	111.76	
				24P	121.92	116.84	

RoHS Compliant

TOLERANCES ARE

MORETHANALL
PCB CONNECTORS
Cable ASSEMBLIES

煜倫股份有限公司

www.morethanall.com

DRAWING BY CY

CHECKED BY GENIUS

UNIT / mm SCALE 1 : 1

DATE

SIZE A4

X, ±
.X ±
.XX ±
.XXX ±
ANG ±

P PROJECTION

照片框

ORDER INFORMATION

TBY051-SW-xx-LF

SERIES | | LEADFREE
| | 02-24WAY
| | SCREW WIRE
| | FEMALE

DESCRIPTION: