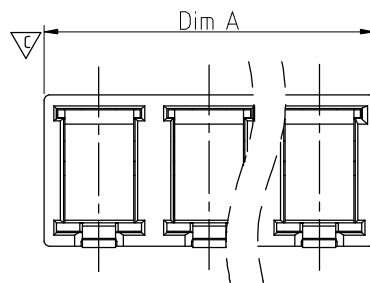
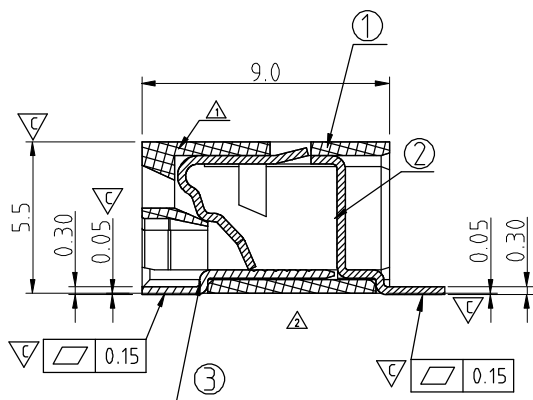
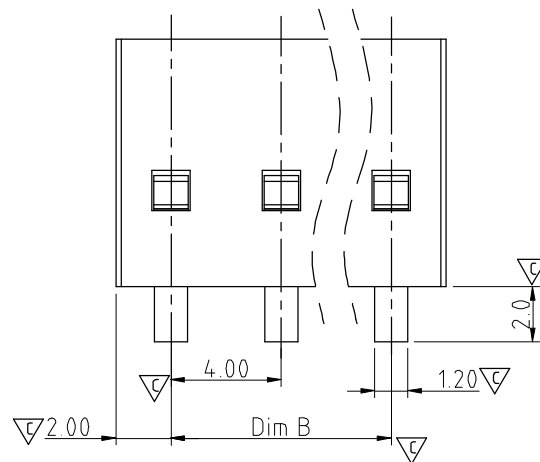


P.C.B. LAYOUT



Material:

- △ ● Item 1 Terminal housing: LCP (UL94V-0)
- Item 2 Long solder pin: Copper alloy, Matte Tin plated (high temperature)
- Item 3 Short solder pin: Brass, Matte Tin plated (high temperature)

△ Electrical UL /cULus (UL1977 Standard)

- Voltage rating: 300VAC 300VAC
- Current rating: 9A 5A
- Wire range:
- △ ● Solid wire (AWG): 18-24
- Tin Dipped Stranded wire (AWG): 18-24
- Wire strip length: 6-7mm
- Withstanding Voltage: 1.6KV
- Operating temperature: -45°C to +130°C
- Reflow soldering temperature: 260°C/10 Sec Max.
- Safety Approval: us
- Critical dimension: ▽

N=Number of poles

Dim.A	N×4.0
Dim.B	(N-1) × 4.0

△ POLES	TOLERANCE
2P - 3P	-0.20/+0.20

RoHS Compliant

TOLERANCES ARE

MORETHANALL
PCB CONNECTORS
Cable ASSEMBLIES

煜倫股份有限公司

www.morethanall.com

DRAWING BY CY

CHECKED BY GENIUS

UNIT / mm

SCALE 1 : 1

DATE

SIZE A4

X. ±
.X ±
.XX ±
.XXX ±
ANG ±

P PROJECTION

照片框

ORDER INFORMATION

TBY040-W05-xx-LF

SERIES | LEADFREE
| 02.03 WAY
| HIGH 5.5mm
90°SMT

DESCRIPTION: