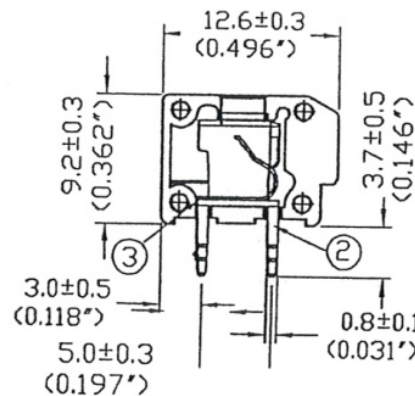
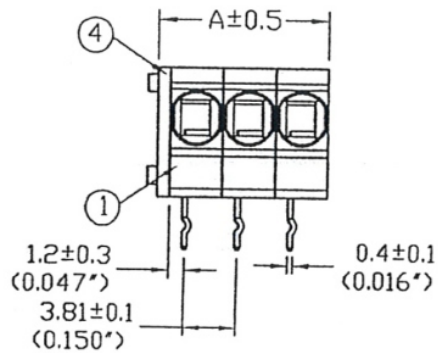
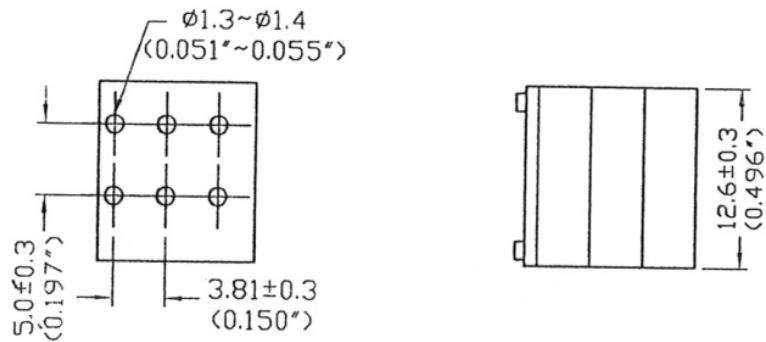


# PCB Layout



Current rating : 10Amp AC300V  
 Insulation withstands volt : AC2000V min  
 Insulation resistance : >2000MΩ DC500V  
 Operation temperature : -40°C to +105°C  
 Wire range : 14~20 AWG

Pitch : 3.81mm (0.15inch)

Poles	A(mm)	A(inch)	Poles	A(mm)	A(inch)
2	8.52	0.34	15	58.05	2.29
3	12.33	0.49	16	61.86	2.44
4	16.14	0.64	17	65.67	2.59
5	19.95	0.79	18	69.48	2.74
6	23.76	0.94	19	73.29	2.89
7	27.57	1.09	20	77.10	3.04
8	31.38	1.24	21	80.91	3.19
9	35.19	1.39	22	84.72	3.34
10	39.00	1.54	23	88.53	3.49
11	42.81	1.69	24	92.34	3.64
12	46.62	1.84			
13	50.43	1.99			
14	54.24	2.14			

	Material	Plating/Finish	Remark
1	Insulating body PA-66(UL94-V0)		
2	Terminal Brass	Tin plated	
3	Wire protector Stainless strip steel		
4	Cover PA-66(UL94-V0)		

RoHS Compliant

TOLERANCES ARE

**MORETHANALL**  
 PCB CONNECTORS  
 Cable ASSEMBLIES

煜倫股份有限公司

www.morethanall.com

DRAWING BY CY

CHECKED BY GENIUS

UNIT / mm SCALE 1 : 1

DATE

SIZE A4

X, ±  
 X, ±  
 .XX ±  
 .XXX ±  
 ANG ±

PJECTION

照片框

ORDER INFORMATION

TBY038-R09-xx-LF

SERIES | LEADFREE  
 02-24WAY  
 HIGH 9.2mm  
 DIP 90°

DESCRIPTION: