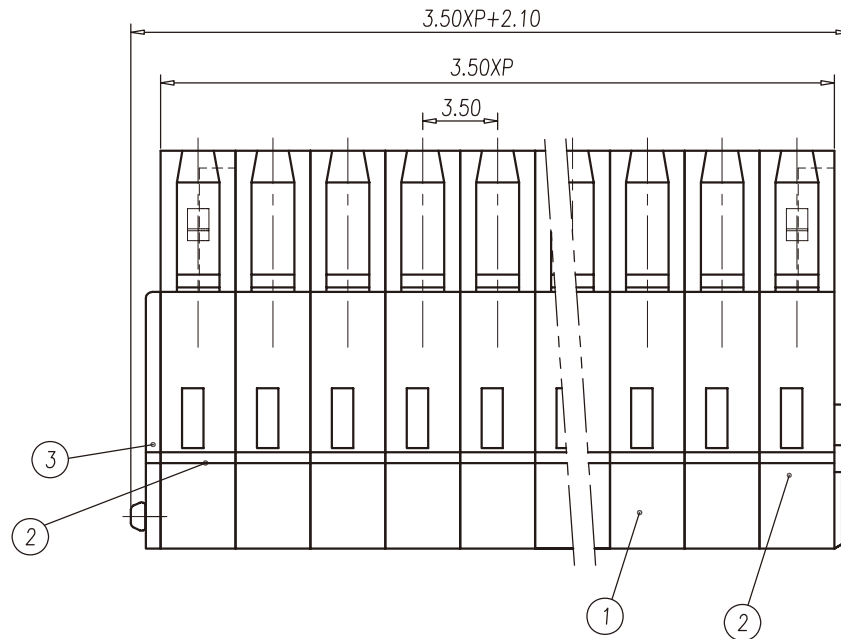
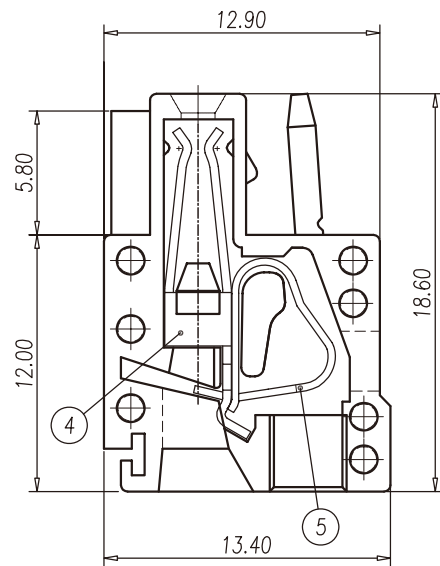
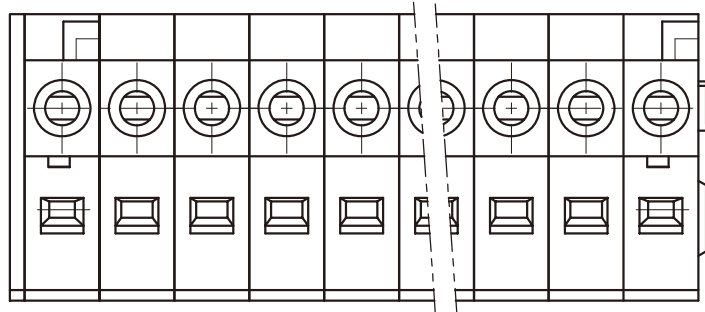


NOTES:

1. Rating: 300V 10A  
PITCH: 3.50mm
2. Insulation Withstands Voltage:  
AC 1500V at 1 minute
3. Insulation Resistance:  
500MΩ or more at DC500V
4. Using Temperature Range:  
-40°C~+105°C
5. Suitable Electric Wire: 28~14 AWG



ITEM	NAME OF PART	MATERIAL	NOTES
5	CLAMP	SUS301	
4	SOLDER PIN	BRONZE	Tin Plated
3	COVER1	PA66	UL94-V0 GREY
2	HOUSING2	PA66	UL94-V0 GREY
1	HOUSING1	PA66	UL94-V0 GREY

**RoHS Compliant**

TOLERANCES ARE

**MORETHANALL**  
PCB CONNECTORS  
Cable ASSEMBLIES  
**煜倫股份有限公司**

DRAWING BY CY  
CHECKED BY GENIUS  
UNIT / mm SCALE 1:1  
DATE

X. ±  
.X ±  
.XX ±  
.XXX ±  
ANG ±

www.morethanall.com

SIZE A4 PPROJECTION

照片框

**ORDER INFORMATION**

TBY035-SW-xx-LF

SERIES | LEADFREE  
02-24WAY  
SCREW WIRE  
FEMALE

DESCRIPTION: