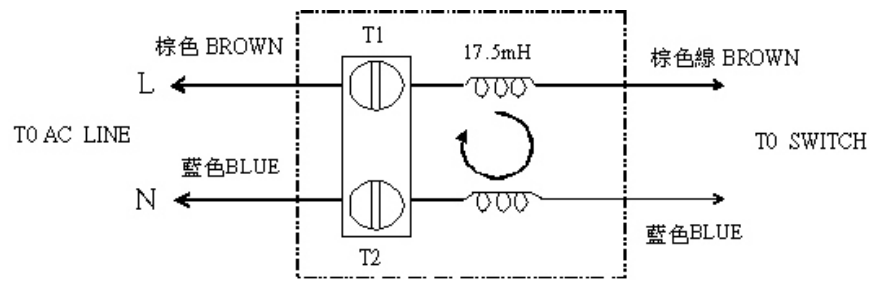
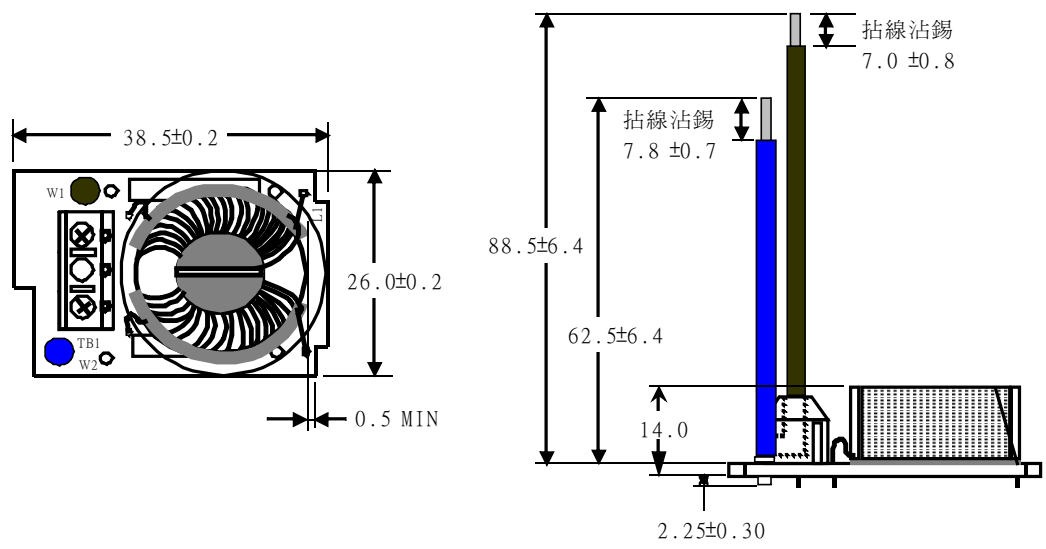


1 2 3 4 5 6 7 8 9 0

J
I
H
G
F
E
D
C
B
A



TBXX-F11C-0300-LF
LEADFREE
RoHS Compliant

1. 電氣特性
CURRENT : 4AMPS
VOLTAGE : 250VAC
FREQUENCY : 50HZ/60HZ

| 測試規格 | FROM - TO |
|-----------------------|------------------|
| INDUCTANCE 17.5mH±30% | N - BLU, L - BRN |
| D.C.R. 0.1Ω MAX | N - BLU, L - BRN |



PART NO. TBXX-F11C-0300

DWG NO. TBXX-F11C-0300

CHECKED BY CY

TOLERANCES ARE

DESCRIP TION:

煜倫股份有限公司

FILE NO.

DRAWING BY

.X ± 0.2
.XX ± 0.1
.XXX ±
AWG

UNIT / mm

SCALE 1:1

PROJECTION

AREA

REVISIONS

HK

DATE