

Pitch:10.00mm (0.394inch)					
Poles	A(mm)	A(in)	Poles	A(mm)	A(in)
2	21.40	0.843	6	61.40	2.417
3	31.40	1.236	7	71.40	2.811
4	41.40	1.630	8	81.40	3.205
5	51.40	2.024			

Technical data in accordance to UL/CUL :
Current rating :

51Amp 600V (UG B/C)

Insulation withstands voltage : AC2200V/min

Insulation resistance : >2000MΩ DC500V

Wire range: 6~18 AWG

Technical data in accordance to IEC/ DIN VDE :

Rated surge voltage (III/3) : 8kV

Rated surge voltage (III/2) : 8kV

Rated surge voltage (II/2) : 6kV

Rated Insulation voltage (III/3) : 800V

Rated Insulation voltage (III/2) : 1000V

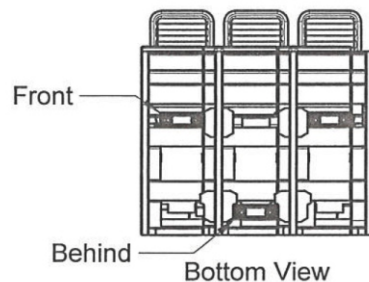
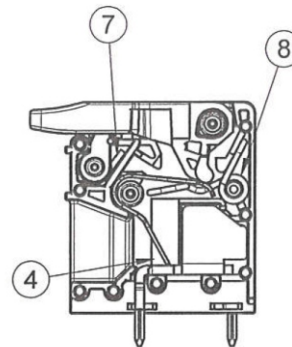
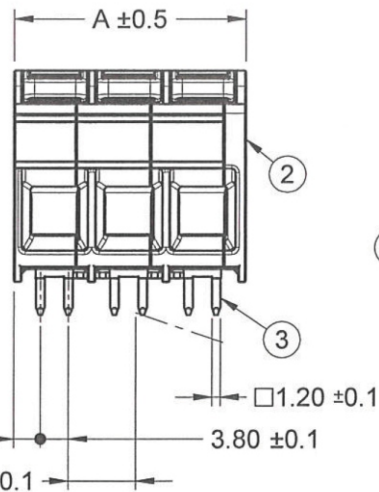
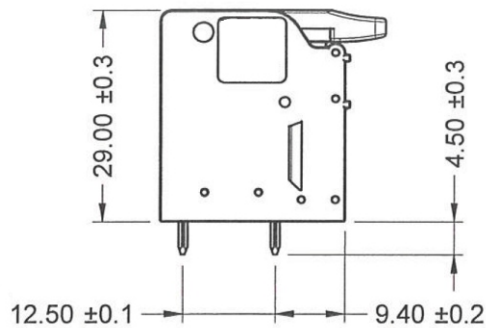
Rated Insulation voltage (II/2) : 1000V

Rated current : 76A

Wire range : 0.75mm² ~16.0mm²

Operation temperature : -40°C to +105°C

Wire strip length: 17~18mm



	Material	Plating/Finish	Remark
1	Insulating body	Polyamide 66(UL94V-0)	Black
2	Side Cover	Polyamide 66(UL94V-0)	Black
3	Contact	Copper	Tin plated
4	Spring	Stainless strip steel	
5	Lever	Polyamide 66(UL94V-0)	Orange
6	Latch	PBT(UL94V-0)	Orange
7	Spring	Stainless Steel	
8	Spring	Stainless Steel	

RoHS Compliant

TOLERANCES ARE

MORETHANALL
PCB CONNECTORS
Cable ASSEMBLIES

DRAWING BY CY

CHECKED BY GENIUS

UNIT / mm

SCALE 1 : 1

DATE

SIZE A4

PJECTION

X, ±
X, ±
.XX ±
.XXX ±
ANG ±

照片框

ORDER INFORMATION

TBX100-R29L-xx-LF

SERIES

LEADFREE
02-08 POLES
L TYPE FOOT
HIGH 29mm
DIP 90°

煜倫股份有限公司

www.morethanall.com

DESCRIPTION: