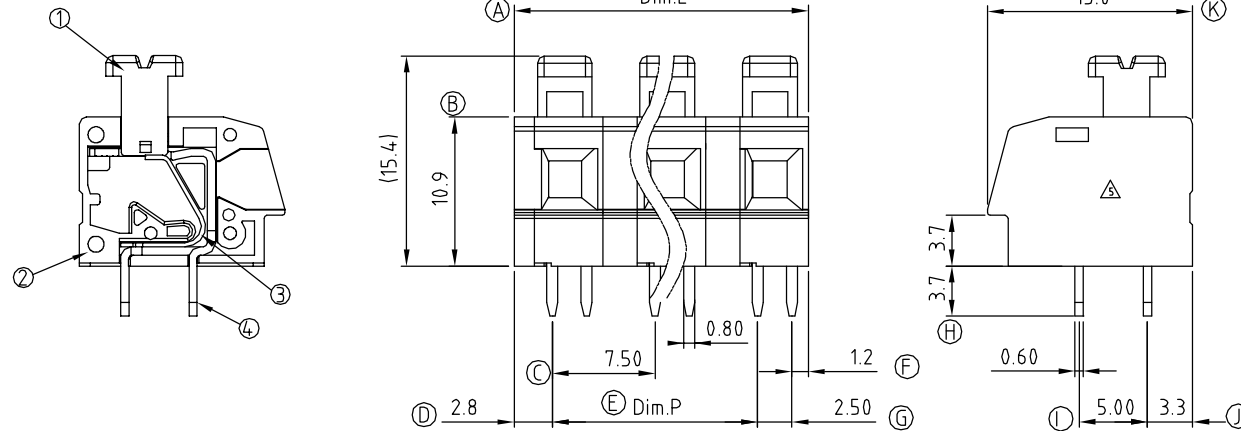


PCB Layout



Material:

- Item ① Terminal lever: Thermoplastic (UL94V-0)
- Item ② Terminal housing: Thermoplastic (UL94V-0)
- Item ③ Spring clamp: Stainless steel
- Item ④ Solder pin: Brass, Tin plated
- Item ⑤ Terminal cover: Thermoplastic (UL94V-0)
- Item ⑥ Terminal pad board : Thermoplastic (UL94V-0)

- △ Electrical:
- | | | |
|--------------------------|----------------------|-------|
| | cULus | VDE |
| ● Voltage rating: | 300 V | 450 V |
| ● Current rating: | 11 A | 12 A |
| ● Wire range: | 0.5-4mm ² | |
| ● Solid wire(AWG): | 12-20 | |
| ● Stranded wire(AWG): | 12-20 | |
| ● Wire strip length: | 10-11 mm | |
| ● Withstanding Voltage: | 1.6KV | 2.5KV |
| ● Operating temperature: | -40°C to +115°C | |
| ● Soldering temperature: | 250°C ±10°C/5 Sec | |

POLE		2	3	4	5	6	7	8	9	10	11	12
Dim.L		14.00	21.50	29.00	36.50	44.00	51.50	59.00	66.50	74.00	81.50	89.00
Dim.P		7.50	15.00	22.50	30.00	37.50	45.00	52.50	60.00	67.50	75.00	82.50
Tol.		±0.15					±0.25					
POLE	13	14	15	16	17	18	19	20	21	22	23	24
Dim.L	96.50	104.50	111.50	119.00	126.50	134.00	141.50	149.00	156.50	164.00	171.50	179.00
Dim.P	90.00	97.50	105.00	112.50	120.00	127.50	135.00	142.50	150.00	157.50	165.00	172.50
Tol.		±0.30					±0.40					

RoHS Compliant

TOLERANCES ARE

MORETHANALL
PCB CONNECTORS
Cable ASSEMBLIES

DRAWING BY CY

CHECKED BY GENIUS

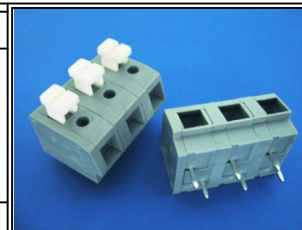
UNIT / mm SCALE 1 : 1

DATE

SIZE A4

X, ±
.X ±
.XX ±
.XXX ±
ANG ±

P PROJECTION



ORDER INFORMATION

TBX075-R15-xx-LF
SERIES | LEADFREE
02-24WAY
HIGH 15.4mm
DIP 90°

煜倫股份有限公司

www.morethanall.com

DESCRIPTION: