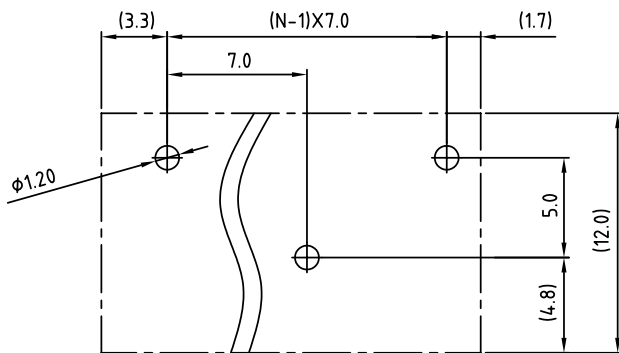
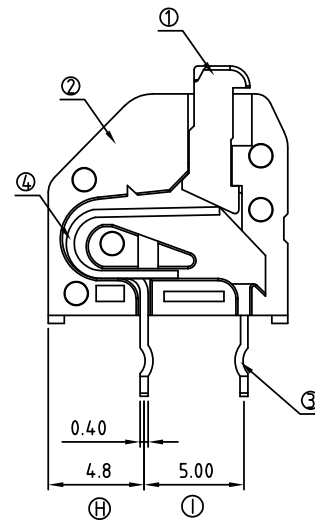




N=Number of contacts



P.C.B. LAYOUT



Material:

- Item ① Insulator(lever): Thermoplastic (UL94V-0)
 - Item ② Insulator(housing): Thermoplastic (UL94V-0)
 - Item ③ Side contact pin: PhBz.Tin plated.
 - Item ④ Center contact pin: PhBz.Tin plated.
 - Item ⑤ Side Cover : Thermoplastic (UL94V-0)
 - Item ⑥ Insulator(Board): Thermoplastic (UL94V-0)
- Electrical: cULus VDE
- Voltage rating: 300V 250V
 - Current rating: 6A 6A
 - Wire range: 0.5-0.75 mm²
 - Solid wire(AWG): 16-22
 - Stranded wire(AWG): 16-22
 - Wire strip length: 8.5-10.0mm
 - Withstanding Voltage: 1.6KV 2 KV
 - Operating temperature: -40°C to +115°C
 - Soldering temperature: 250°C ±10°C/5 Sec
 - Safety Approval:  

TBX070-A12-xxR-LF

LEADFREE

RoHS Compliant

MORETHANALL
CONNECTORS
ASSEMBLIES

PART NO. TBX070-A12-xxR

DWG NO. TBX070-A12-xxR

FILE NO.

UNIT / mm

SCALE 1:1

CHECKED BY CY

DRAWING BY

PROJECTION 

TOLERANCES ARE

.X ±
.XX ±
.XXX ±
AWG

DESCRIPTION:

AREA

REVISIONS

HK

DATE

焯倫股份有限公司