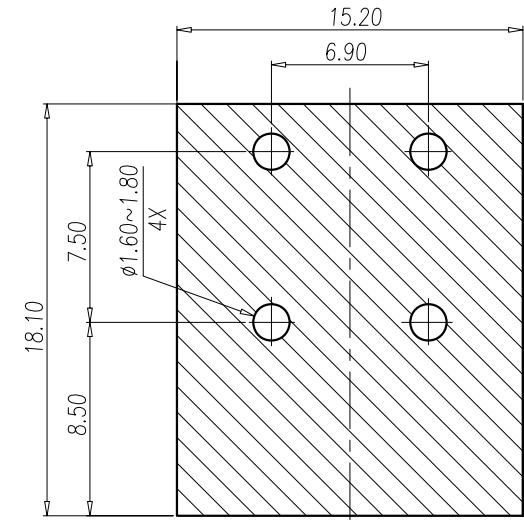
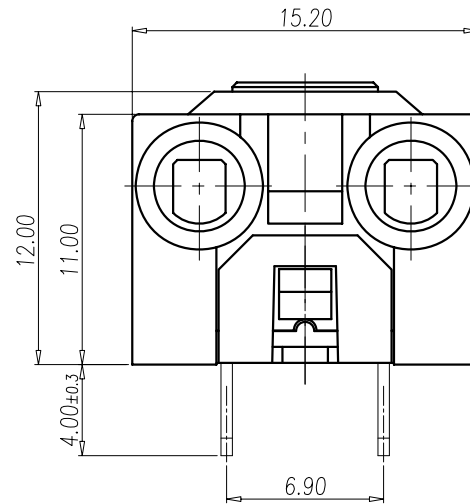
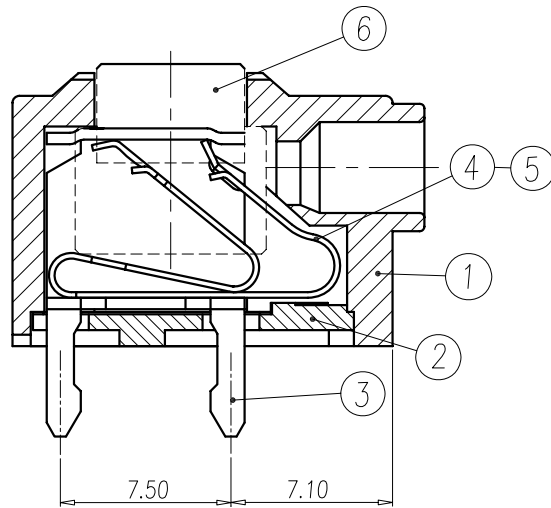


NOTES:

1. Rating: 300V 10A
2. Insulation Withstands Voltage:
AC 2200V at 1 minute
3. Insulation Resistance:
500M Ω or more at DC500V
4. Using Temperature Range:
-40°C~+105°C
5. Suitable Electric Wire:
20~14 AWG Str
20~12 AWG Sol
Strip length: 12mm
6. RoHS Compliance



P.C.B. LAYOUT
S=4:1



TBX069-R12B-02-LF
LEADFREE
RoHS Compliant

ITEM	NAME OF PART	MATERIAL	NOTES
6	LEVER	PBT	UL94-V0 WHITE
5	CLAMP 2	STEEL	
4	CLAMP 1	STEEL	
3	SOLDER PIN	PHOSPHOR BRONZE	TIN Plated
2	COVER	PA66	UL94-V0 BLACK
1	HOUSING	PBT	UL94-V0 BLACK

MORETHANALL
CONNECTORS
ASSEMBLIES

煜倫股份有限公司

PART NO. TBX069-R12B-02		CHECKED BY CY	TOLERANCES ARE .X ± 0.2 .XX ± .XXX ± ANG	DESCRIP TION:			
DWG NO. TBX069-R12B-02							
FILE NO.		DRAWING BY	PROJECTION	AREA	REVISIONS	HK	DATE
UNIT / mm	SCALE 1:1						