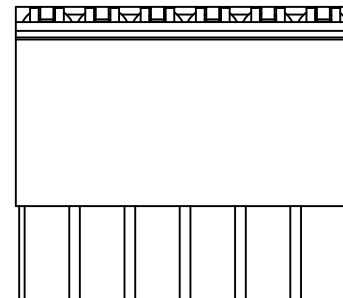
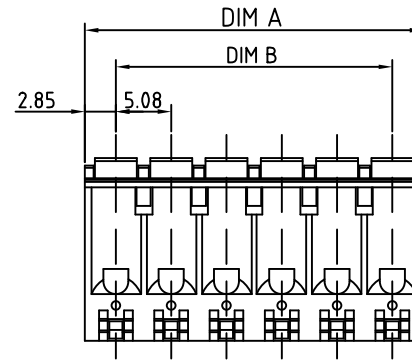
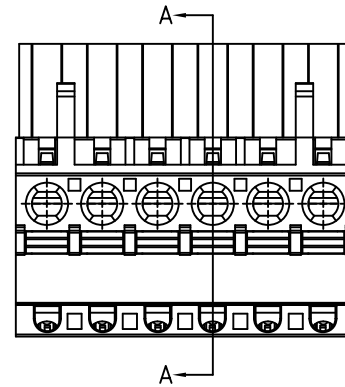


Material

- Ltem 1 Insulating body Thermoplastic (UL94V-0)
- Ltem 2 Insulating body Thermoplastic (UL94V-0)
- Ltem 3 Insulating lever Thermoplastic (UL94V-0)
- Ltem 4 Wire guard Stainless Steel
- Ltem 5 Contacts PIN PhBz (CuSn) Tin plated

Electrical

- Voltage rating: 300V
- Current rating: 20A
- Solid wire(AWG): 12-26
- Stranded wire(AWG): 12-26
- Wire strip length: 6-7mm
- Withstanding Voltage: 1.6KV
- Operating temperature: -30°C to +105°C

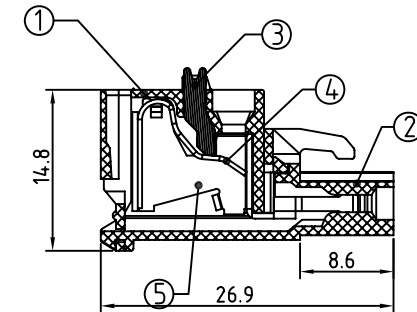


Dimension

| | |
|-------|------------------------|
| DIM A | $N \times 5.08 + 0.62$ |
| DIM B | $(N-1) \times 5.08$ |

N=Number of poles

| POLES | TOL |
|---------|------------|
| 2p-6p | +0.0/-0.20 |
| 7p-12p | +0.0/-0.30 |
| 13p-16p | +0.0/-0.40 |
| 17p-24p | +0.0/-0.50 |



SECTION A-A

RoHS Compliant

TOLERANCES ARE

MORETHANALL
PCB CONNECTORS
Cable ASSEMBLIES

煜倫股份有限公司

www.morethanall.com

DRAWING BY CY

CHECKED BY GENIUS

UNIT / mm SCALE 1 : 1

DATE

SIZE A4

X, ±

.X ±

.XX ±

.XXX ±

ANG ±

PJECTION

照片框

ORDER INFORMATION

TBX051-SW-xx-LF

SERIES | | LEADFREE
| | 02~24WAY
| | SCREW WIRE
| | FEMALE

DESCRIPTION: