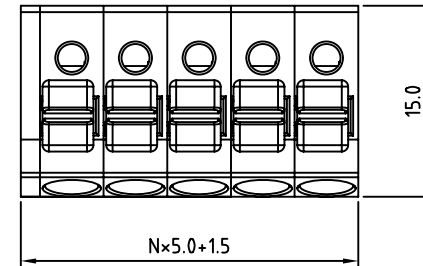
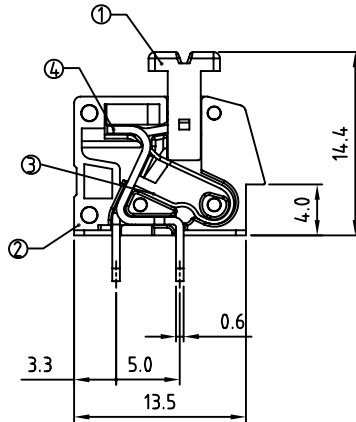


Material:

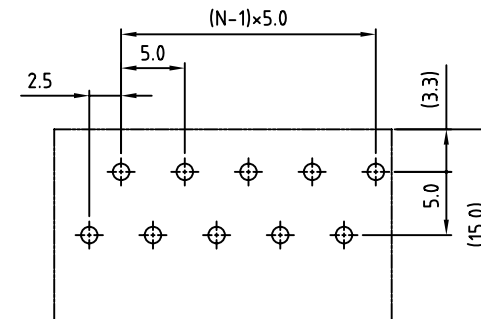
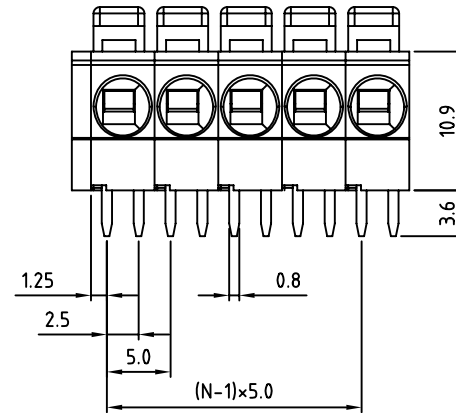
- Item ① Insulator(lever): Thermoplastic (UL94V-0)
- Item ② Insulator(housing): Thermoplastic (UL94V-0)
- Item ③ Wire guard: Stainless steel
- Item ④ Terminal Body(contact pin): Brass.

Electrical: UL

- Voltage rating: 300 V
- Current rating: 10 A
- Wire range:
- Solid wire(AWG): 12-20
- Stranded wire(AWG): 12-20
- Wire strip length: 10-11 mm
- Withstanding Voltage: 1.6KV
- Operating temperature: -33°C to +105°C
- Soldering temperature: 250°C ±10°C/5 Sec



N= Number of poles



PCB Layout

RoHS Compliant

TOLERANCES ARE

MORETHANALL
PCB CONNECTORS
Cable ASSEMBLIES

DRAWING BY CY

X, ±

CHECKED BY GENIUS

.X ±

UNIT / mm

SCALE 1 : 1

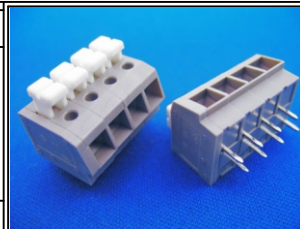
.XXX ±

DATE

ANG ±

SIZE A4

PJECTION



ORDER INFORMATION

TBX050-R14-xx-LF

SERIES

LEADFREE

02-24WAY

HIGH 14.4mm

DIP 90°

煜倫股份有限公司

www.morethanall.com

DESCRIPTION: