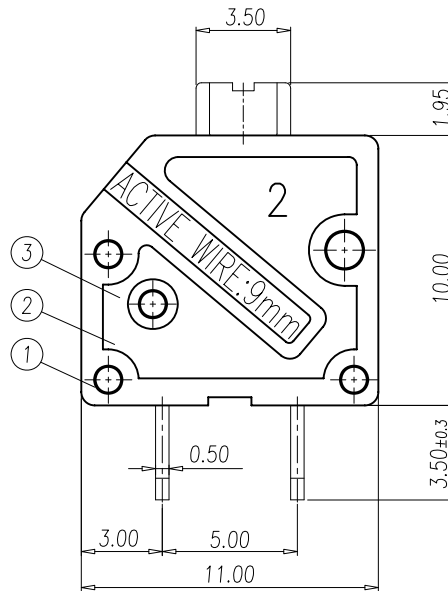
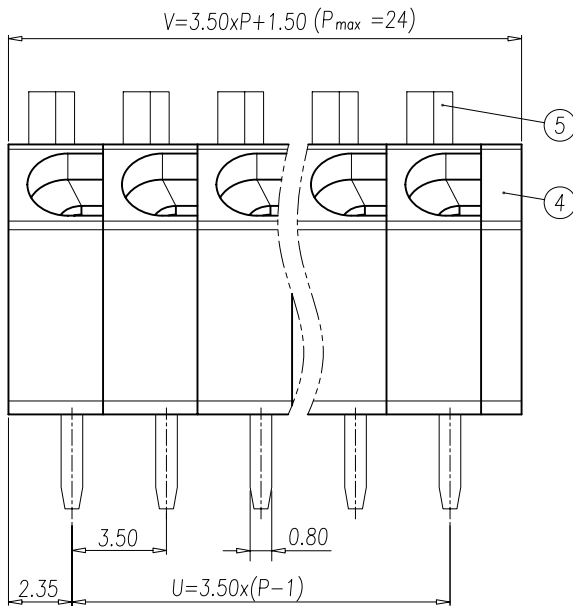


PCB LAYOUT



NOTES:

1. Rating: 300V 5A
2. Insulation Withstands Voltage: AC 2000V at 1 minute.
3. Insulation Resistance: 500MΩ or more at DC500V
4. Using Temperature Range: -40°C~+105°C
5. Suitable Electric Wire:
SOLID WIRE: AWG 26~16
STRAND WIRE: AWG 24~20
6. ACTIVE WIRE: 9mm
7. RoHS Compliance

ITEM	NAME OF PART	MATERIAL	NOTES
5	LEVER	PA66	UL94-V0 GREY
4	COVER	PA66	UL94-V0 GREY
3	CLAMP	STEEL	
2	SOLDER PIN	COPPER ALLOY	Tin Plated
1	HOUSING	PA66	UL94-V0 GREY

RoHS Compliant

TOLERANCES ARE

MORETHANALL
PCB CONNECTORS
Cable ASSEMBLIES

DRAWING BY CY

X. ±

CHECKED BY GENIUS

.X ±

UNIT / mm

SCALE 1 : 1

.XX ±

DATE

.XXX ±

ANG ±

SIZE A4

PJECTION

照片框

ORDER INFORMATION

TBX035-A11B-xx-LF

SERIES | | | LEADFREE
| | | 02~24WAY
| | | BOTH LEGS
| | | WIDTH 11.0mm
| | | SLANT DIP

煜倫股份有限公司

www.morethanall.com

DESCRIPTION: