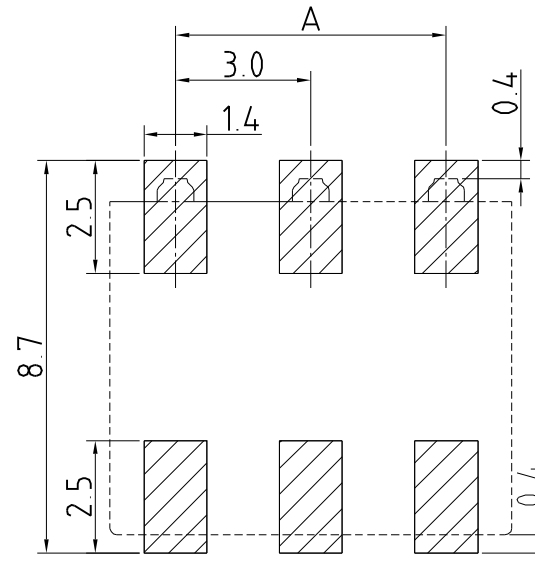
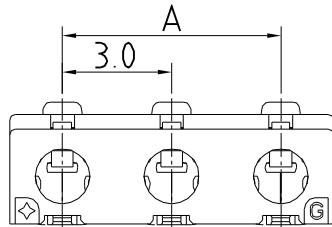
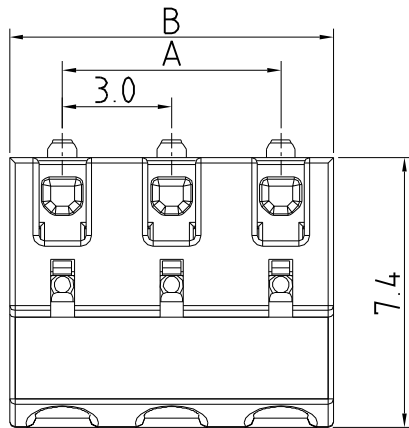


### Features

**Available Number of Circuits :** 01-03

**Material :** High Temperature Thermoplastic UL94V-0

**Contact :** 0.25mm(.009"), Copper Alloy, Tin-plated



P.C.B LAY OUT

### Dimension and Order Information

Circuits	Part No.	DIM.(mm)	
		A	B
1	TBX030-W03-01	2.90	2.90
2	TBX030-W03-02	3.00	5.90
3	TBX030-W03-03	6.00	8.90

**RoHS Compliant**

TOLERANCES ARE

**MORETHANALL**  
PCB CONNECTORS  
Cable ASSEMBLIES

DRAWING BY CY

CHECKED BY GENIUS

UNIT / mm

SCALE 1 : 1

DATE

SIZE A4

X, ±  
.X ±  
.XX ±  
.XXX ±  
ANG ±

P PROJECTION

照片框

**ORDER INFORMATION**

TBX030-W03-xx-LF

SERIES

LEADFREE

01~03 WAY

HIGH 3.0mm

90°SMT

煜倫股份有限公司

www.morethanall.com

DESCRIPTION: