

P.C.B. LAYOUT

Material

- Terminal body (Contact pin): Brass Whit Tin plated
- Insulator (housing): Thermoplastic (UL94V-0)

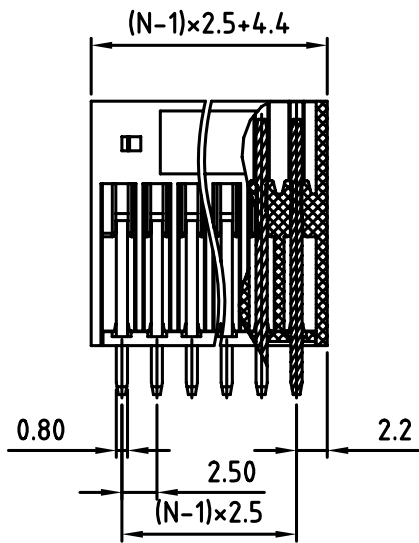
Electrical

- Voltage rating: 125V
- Current rating: 4A
- Withstanding Voltage: 1.25KV
- Operating temperature: -30°C to +105°C
- Soldering temperature: 250°C±10°C/5 Sec

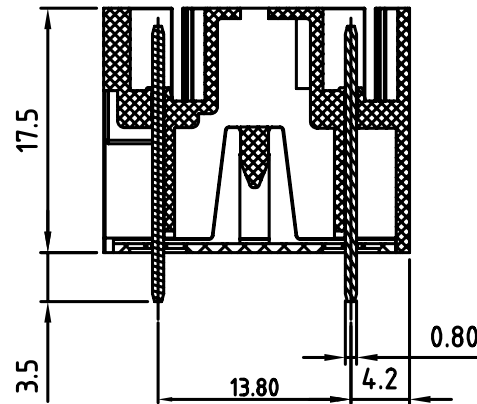
TBX025B1-PDB-xx-LF

LEADFREE

RoHS Compliant



N=1/2Number of contacts



MORETHANALL
CONNECTORS
ASSEMBLIES

PART NO. TBX025B1-PDB-xx

DWG NO. TBX025B1-PDB-xx

FILE NO.

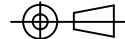
UNIT / mm

SCALE 1:1

CHECKED BY CY

DRAWING BY

PROJECTION



TOLERANCES ARE

.X ± 0.2

.XX ±

.XXX ±

AWG

DESCRIPTION:

AREA

REVISIONS

HK

DATE

焜倫股份有限公司