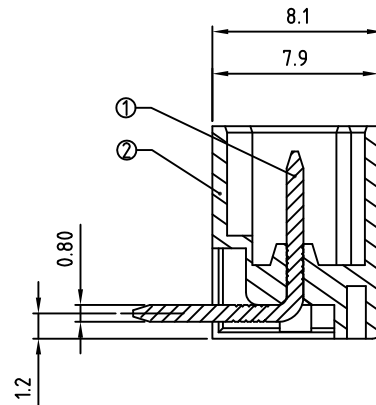
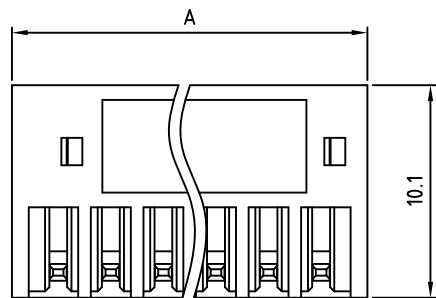


Material:

- Item ① Contact pin: Brass(CuZn) Tin plated
- Item ② Insulator(housing): Thermoplastic (UL94V-0)

Electrical: cULus

- Voltage rating: 125V
- Current rating: 4A
- Withstanding Voltage: 1.25 KV
- Operating temperature: -30°C to +105°C
- Soldering temperature: 250°C±10°C/5 Sec
- Part No.:



POLE		2	3	4	5	6	7	8	9	10	11	12	
A		6.90	9.40	11.90	14.40	16.90	19.40	21.90	24.40	26.90	29.40	31.90	
B		2.50	5.00	7.50	10.00	12.50	15.00	17.50	20.00	22.50	25.00	27.50	
Tol.		±0.10						±0.15					
POLE	13	14	15	16	17	18	19	20	21	22	23	24	
A	34.40	36.90	39.40	41.90	44.40	46.90	49.40	51.90	54.40	56.90	59.40	61.90	
B	30.00	32.50	35.00	37.50	40.00	42.50	45.00	47.50	50.00	52.50	55.00	57.50	
Tol.		±0.20						±0.30					

RoHS Compliant

TOLERANCES ARE

MORETHANALL
PCB CONNECTORS
Cable ASSEMBLIES

DRAWING BY CY

X. ±

CHECKED BY GENIUS

.X ±

UNIT / mm

SCALE 1 : 1

.XX ±

DATE

.XXX ±

ANG ±

SIZE A4

PJECTION



ORDER INFORMATION

TBX025-PRB-xx-LF

SERIES LEADFREE
02~24WAY
BOX
DIP 90°
MALE

煜倫股份有限公司

www.morethanall.com

DESCRIPTION: