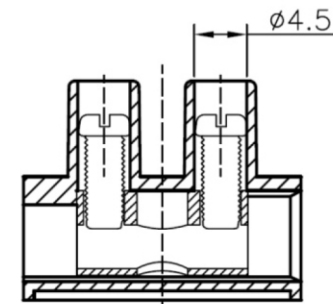
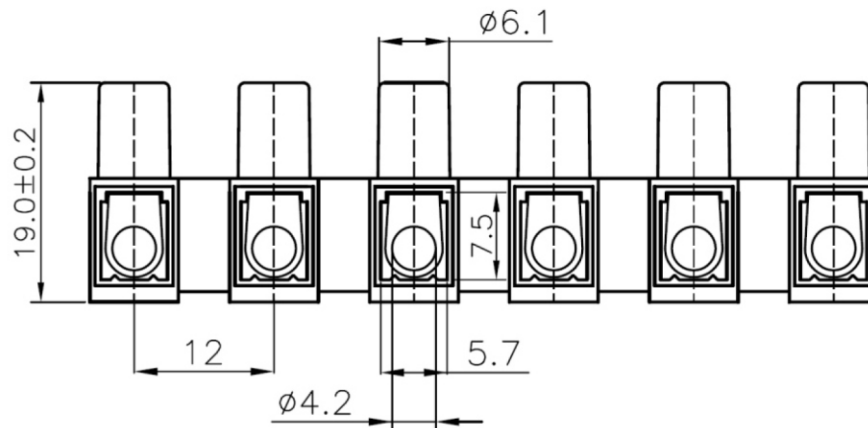


**Housing Material : Nylon 66 , UL94V-2**  
**Voltage : 500V**  
**Current : 41A**  
**Working Temperature : 110°C**  
**Screws : M3.5 x 7**



ALL DIMENSION IN MM UNLESS OTHERWISE STATED : 0.= ±0.1mm 00.= ±0.2mm 000.= ±0.3mm

TBT120-WB-06-LF

LEADFREE

RoHS Compliant

**MORETHANALL**  
CONNECTORS  
ASSEMBLIES

PART NO. TBT120-WB-06

DWG NO. TBT120-WB-06

CHECKED BY CY

TOLERANCES ARE

DESCRIP TION:

FILE NO.

DRAWING BY

.X ± 0.2

.XX ± 0.1

.XXX ±

AWG

AREA

REVISIONS

HK

DATE

煜倫股份有限公司

UNIT / mm

SCALE 1:1

PROJECTION

