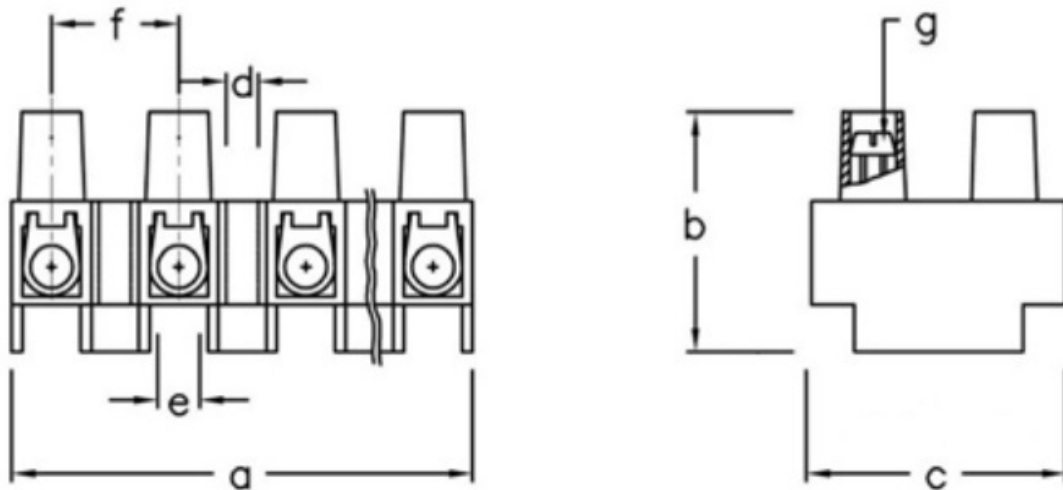


- ◆ High foot
高腳設計
- ◆ Fire retardant High temperature Thermoplastic 94V-2 grade
塑膠阻燃等級 94V-2
- ◆ Working Temperature : -40°C to 100°C
工作溫度 : -40°C to 100°C
- ◆ Natural as standard , brown color
(Please contact us if you need other colors)
標準原色 , 高溫系列為棕色 (如需其他顏色 , 請與我司聯繫)

Insert nickel-plated brass/stainless steel plate as wire protector



Technical Data 技術資料

Voltage (V) 電壓	600
Ampere (A) 電流 IEC	24
Ampere (A) 電流 UL	30
Cross section (適用線徑)	4mm ²
AWG (適用線號)	12
Dimension (mm) 尺寸	
a) Length 長度	116.5
b) Height 高度	18.0
c) Width 寬度	19.0
d) Fixing hole 固定孔	3.6
e) Wiring hole 接線孔	3.45
f) Pitch 間距	10
g) Screw 螺絲	M3x6

RoHS Compliant

TOLERANCES ARE

MORETHANALL
PCB CONNECTORS
Cable ASSEMBLIES

煜倫股份有限公司

www.morethanall.com

DRAWING BY CY

CHECKED BY GENIUS

UNIT / mm SCALE 1 : 1

DATE

SIZE A4

X. ±

.X ±

.XX ±

.XXX ±

ANG ±

PPOJECTION

照片框

ORDER INFORMATION

TBT100-WB18-12-LF

SERIES | | | LEADFREE
| | | 12 WAY
| | | HIGH 18mm
BASE
WIRE TO WIRE

DESCRIPTION: