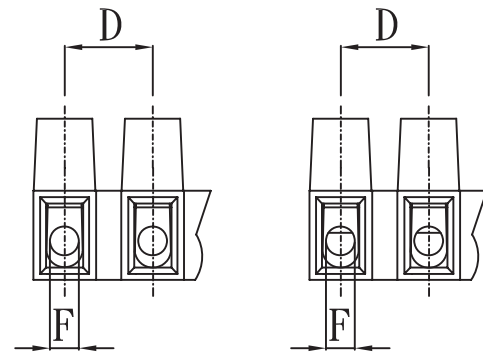
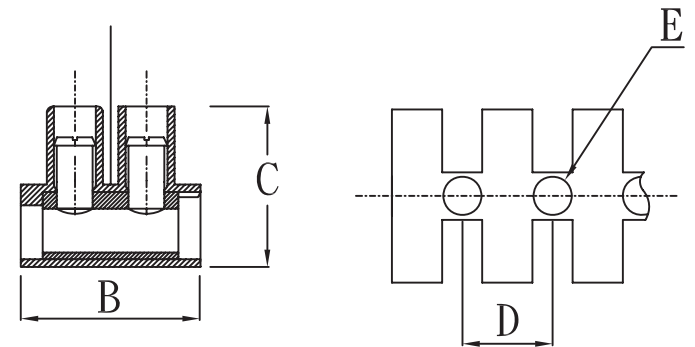
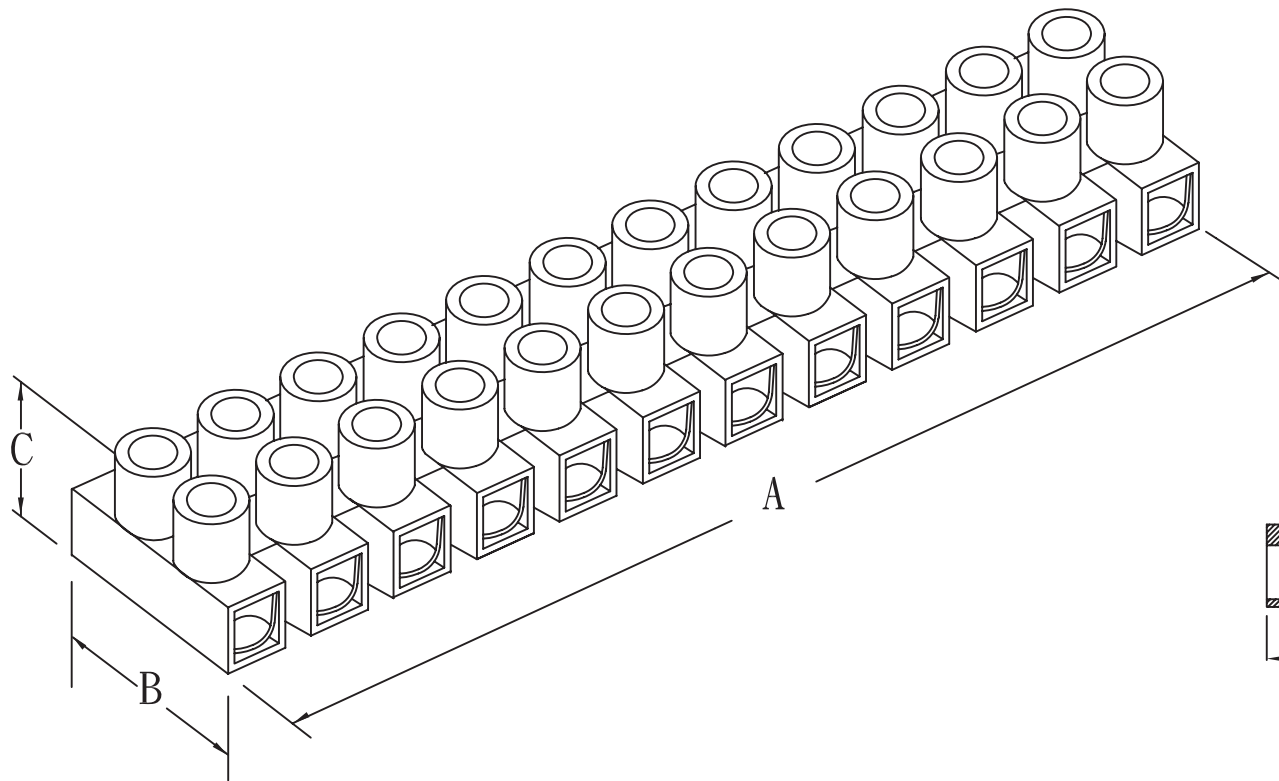


POLE: 1-12 POLES
 HOUSING MATERIAL: NYLON 66 (POLYAMIDE 66)
 FLAMMABILITY: UL94V-2
 WORKING TEMPERATURE: 105°C



Model 型號	PART. NO. 編號	mm ² 線徑	Amp 安培	Volt. 電壓	Screw 螺絲	尺寸 Dimensions (mm)					
						A	B	C	D	E	F
8.0mm	TBT080-W-12	1.5	17.5	450	M2.6X5	95.80	16.30	13.30	8.00	2.90	2.80

RoHS Compliant

TOLERANCES ARE

MORETHANALL
 PCB CONNECTORS
 Cable ASSEMBLIES

煜倫股份有限公司

www.morethanall.com

DRAWING BY CY

CHECKED BY GENIUS

UNIT / mm SCALE 1:1

DATE

SIZE A4

X.±
 .X±
 .XX±
 .XXX±
 ANG±

PJECTION

照片框

ORDER INFORMATION

TBT080-W-12-LF

SERIES | LEADFREE
 12 WAY
 WIRE TO WIRE

DESCRIPTION: BLOCK (FLAT BASE TYPE)