

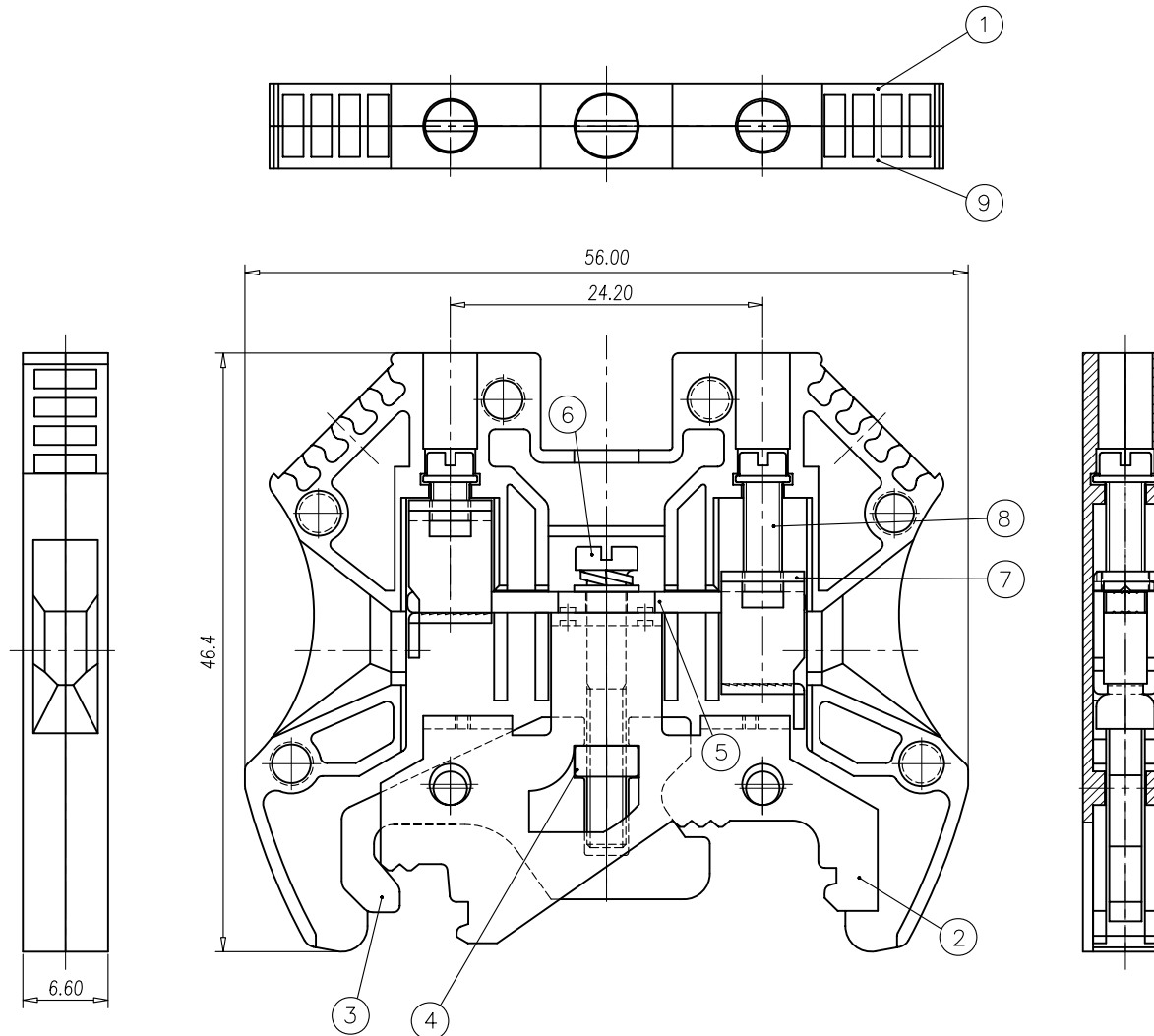
NOTES:

1. Rating: 600V 35A(IEC 630V)
2. Insulation Withstands Voltage: AC 750 V/MIN
3. Insulation Resistance: 500MΩ or more at DC1000V
4. Using Temperature Range: -40°C~+105°C
5. Screw Torque Value: 8kgf-cm
6. Suitable Electric Wire: AWG 26~10 (0.5~4mm²)
7. Undimensioned Tolerances:

Normal Geometric Tolerancing					
	-	//	≡	⊥	
0 to 100		0.2		0 to 10	0.2
over 100 to 150		0.3	0.3	over 10	0.3
over 150		0.5			
Normal dimension Tolerances					
0~30		±0.25			
over 30~53		±0.30			
over 53~70		±0.35			
over 70~90		±0.44			
over 90~115		±0.55			

8. RoHS Compliance

ITEM	NAME OF PART	MATERIAL	NOTES
9	HOUSING	PA66	UL94-V0 YELLOW
8	SCREW2	STEEL	M3/Zn Plated
7	WIRE CAGE	STEEL	M3/Zn Plated
6	SCREW1	SPCC	M3/Zn Plated
5	CONDUCTOR	COPPER-ALLOY	Tin Plated
4	NUT	STEEL	M3/Zn Plated
3	CLAMP2	SPCC	Zn Plated
2	CLAMP1	COPPER-ALLOY	Tin Plated
1	HOUSING	PA66	UL94-V0 GREEN



RoHS Compliant

TOLERANCES ARE

MORETHANALL
PCB CONNECTORS
Cable ASSEMBLIES

DRAWING BY CY

X, ±

CHECKED BY GENIUS

.X ±

UNIT / mm

SCALE 1:1

.XX ±

DATE

.XXX ±

ANG ±

SIZE A4

PJECTION

照片框

ORDER INFORMATION

TBR066-W-01-LF

SERIES

LEADFREE

01 WAY

SCREW WIRE

煜倫股份有限公司

www.morethanall.com

DESCRIPTION: