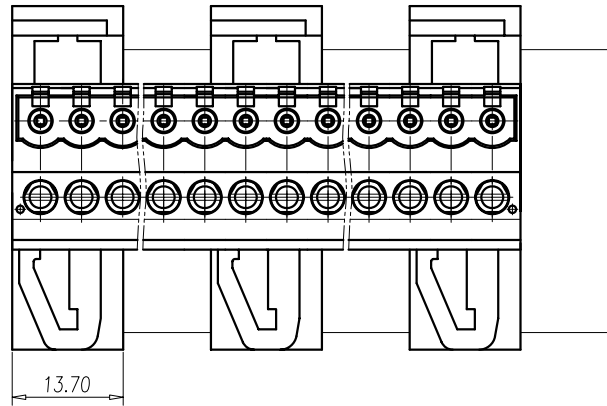
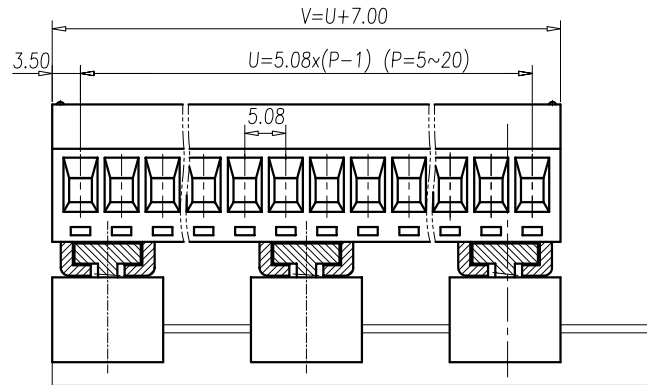
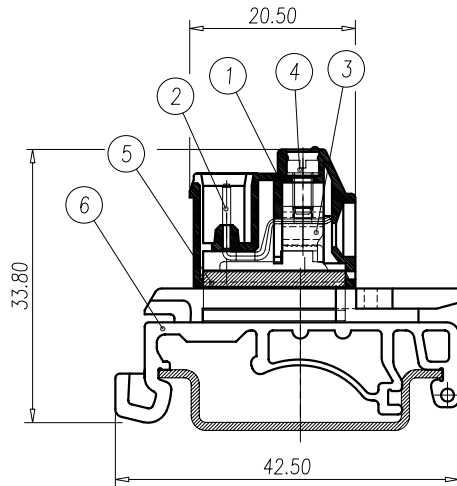


NOTES:

1. Rating: 250V 15A
PITCH: 5.08mm
2. Insulation Withstands Voltage:
AC 1500V at 1 minute
3. Insulation Resistance:
500MΩ or more at DC1000V
4. Using Temperature Range:
-40°C~+105°C
5. Screw Torque Value: 4kgf-cm
6. Suitable Electric Wire: 22~14 AWG



Normal Geometric Tolerancing				
—	//	≡	⊥	
0 to 100	0.2	0.3	0 to 10	0.2
over 100 to 150	0.3		over 10	0.3
over 150	0.5			
Total Pitch Tolerances		Normal dimension Tolerances		
0<U<=30	±0.20	0~30	±0.25	
30<U<=53	±0.25	over 30~53	±0.30	
53<U<=70	±0.30	over 53~70	±0.35	
70<U<=90	±0.35	over 70~90	±0.44	
90<U<=115	±0.44	over 90~115	±0.55	
115<U<=150	±0.55	over 115~150	±0.70	
150<U<=200	±0.70	over 150~200	±0.85	
200<U<=250	±0.85	over 200~250	±1.00	
250<U<=320	±1.00	over 250~320	±1.20	



P	5	6	7	8	9	10	11	12
U	20.32	25.40	30.48	35.56	40.64	45.72	50.80	55.88
P	13	14	15	16	17	18	19	20
U	60.96	66.04	71.12	76.20	81.28	86.36	91.44	96.52

6	BASE	PA66	UL94-V0 GREEN
5	END COVER	PA66	UL94-V0 GREEN
4	SCREW	STEEL	M2.5/Zn Plated
3	WIRE CAGE	STEEL	Zn Plated
2	SOLDER PIN	COPPER ALLOY	Tin Plated
1	HOUSING	PA66	UL94-V0 GREEN
ITEM	NAME OF PART	MATERIAL	NOTES

注:

1. P=5~11時, 有兩個導軌槽, 分別位于產品的左右兩側.
2. P=12~20時, 有三個導軌槽, 分別位于產品的左右兩側, 和中間.

TBR051-PD-xx-LF
LEADFREE
RoHS Compliant

MORETHANALL
CONNECTORS
ASSEMBLIES

PART NO. TBR051-PD-xx

DWG NO. TBR051-PD-xx

FILE NO.

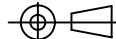
UNIT / mm

SCALE 1:1

CHECKED BY CY

DRAWING BY

PROJECTION



TOLERANCES ARE

.X ± 0.2

.XX ±

.XXX ±

AWG

DESCRIPTION:

AREA

REVISIONS

HK

DATE

煜倫股份有限公司