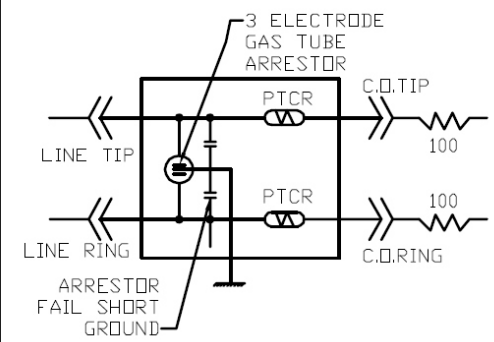


Notes:  
1. Dimension Tolerance  
x ±0.2  
xx ±0.1

SURGE-ARRESTOR MODULE  
OUTLINE DIAGRAM



SURGE-ARRESTOR MODULE  
CONNECTION DIAGRAM

\*Various operation currents are available as customer requirement for example:

- Gas tube meets GB9043 requirements.
- DC breakdown voltage=230V ± 15%
- Impulse breakdown voltage 1000V(100V/uS), 1200V(10KV/uS).
- Insulation resistance  $R \geq 1000M \Omega$  (Vdc).
- Parameters of PTCR excess current protection:
  - a. Normal atmospheric resistance  $< 18 \Omega$  at  $25^\circ C \pm 2^\circ C$ .
  - b. Nominal current DC 50 V 110mA  $t = 1hr$  (environmental temperature  $25^\circ C \pm 2^\circ C$ )

Plastic material: Comply to American UL 94V-0 standard.(PBT UL95V-0)  
Tin-plated metal parts pass SALT SPRAYING testing.  
Protector unit pins and block terminals are tin-plated or gold-plated.

**TBP-LP-44-LF**  
|  
**LEADFREE**

**RoHS Compliant**



PART NO. <b>TBP-LP-44</b>	CHECKED BY CY	TOLERANCES ARE .X ± 0.2 .XX ± .XXX ± AWG	DESCRIP TION:					
							DWG NO. <b>TBP-LP-44</b>	DRAWING BY
FILE NO.	PROJECTION							
UNIT / mm	SCALE 1:1							

焯倫股份有限公司